

Model No: OC25SC65-04
 Product Line: Tymphany

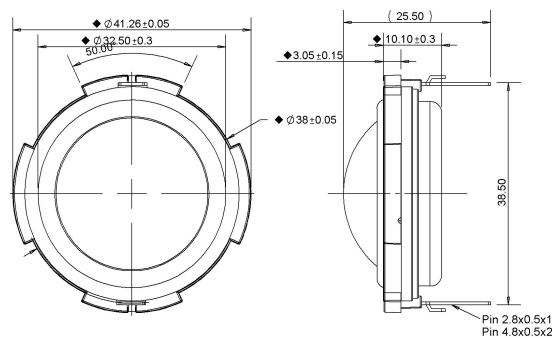
Rev: 2.0
 Last Update: 2015-11-18 23:25:47

Product Description

This OC family tweeter features a 25 mm 4 ohm voice coil, a damped fabric dome for smooth frequency response performance, and ferrofluid in the gap of the neodymium magnet motor, providing enhanced cooling of the voice coil. The tweeter comes with a twist-lock mating feature, to allow for easy installation into custom faceplates.



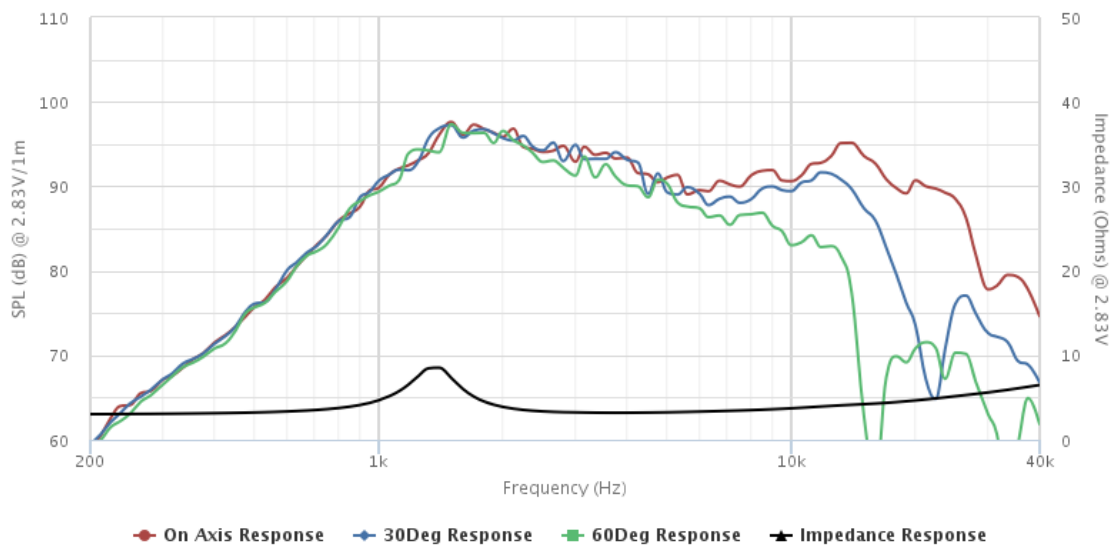
Mechanical Drawing



Specifications

DC Resistance	Revc	Ohms	3	5.0%	Energy Bandwidth Product	EBP	(1/Qes)*fs
Minimum Impedance	Zmin	Ohms	3.2	7.5%	Moving Mass	Mms	g
Voice Coil Inductance	Le	mH	0.02		Suspension Compliance	Cms	um/N
Resonant Frequency	Fs	Hz	1382.22	15%	Effective Cone diameter	D	cm
Mechanical Q Factor	Qms		4.07		Effective Piston Area	Sd	cm ²
Electrical Q Factor	Qes	1.83			Effective Volume	Vas	L
Total Q Factor	Qts	1.26			Motor Force Factor	BL	Tm
Ratio Fs/Qts	F	Fs/Qts	1093.53		Motor Efficiency Factor	β	(T*M ²)/Ohms
Half Space Sensitivity @2.83V	db@2.83V/1M	dB	93.18	+/- 1.0db	Voice coil former Material	VCfm	ASV
Half Space Sensitivity @1W/1M	db@1W/1M	dB	89.2	+/- 1.0db	Voice coil inner diameter	VCd	mm
Gap Height	Gh	mm	2		Rated Noise Power	P	W
Maximum Linear Excursion	Xmax	mm	0		Test Spectrum Bandwidth		1.3kHz - 20kHz
Ferrofluid Type	FF		APG O27n		Driver Size	Inch	25 mm
Driver Mass	Kg	0.05					

Frequency and Impedance Response



Highcharts.com