

Model No: SLS-85S25CP04-04

Product Line: Tymphany

Rev: 1.0

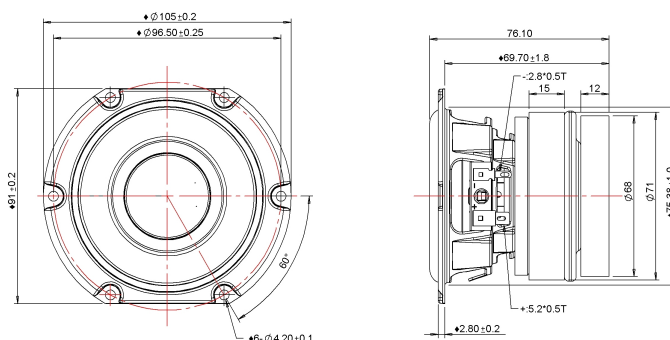
Last Update: 2015-08-17 17:12:38

## Product Description

The SLS line combines high quality performance with an affordable design. This 3.5 inch 4 ohm member of the SLS family features a rigid steel basket, a coated paper cone, and a ferrite magnet motor with aluminium shorting ring for improved distortion performance.



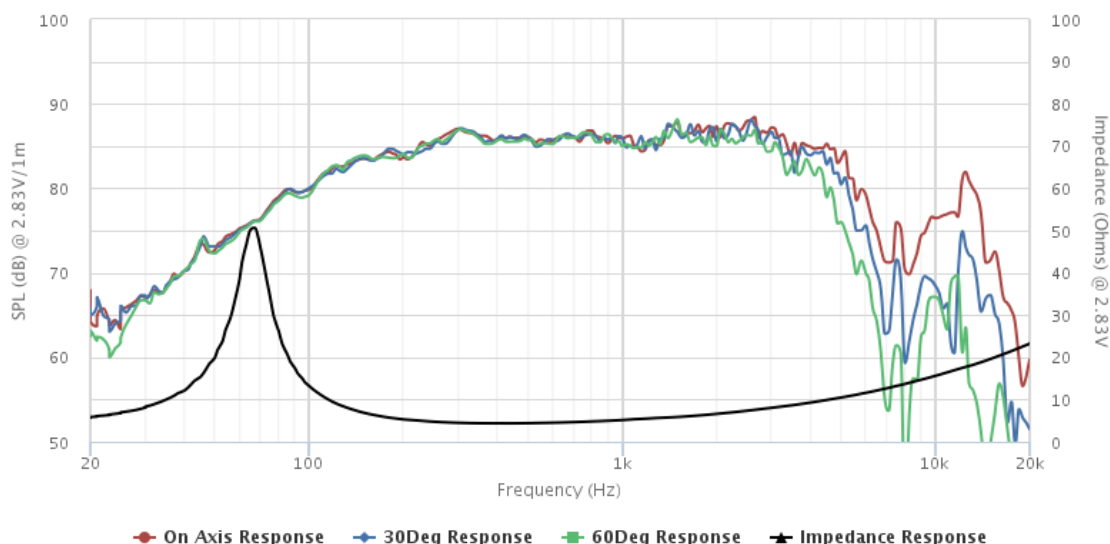
## Mechanical Drawing



## Specifications

DC Resistance	Revc	Ohms	3.18	5.0%	Energy Bandwidth Product	EBP	(1/Qes)*fs
Minimum Impedance	Zmin	Ohms	4.37	7.5%	Moving Mass	Mms	g
Voice Coil Inductance	Le	mH	0.16		Suspension Compliance	Cms	um/N
Resonant Frequency	Fs	Hz	72.57	15%	Effective Cone diameter	D	cm
Mechanical Q Factor	Qms		5.38		Effective Piston Area	Sd	cm^2
Electrical Q Factor	Qes	0.37			Effective Volume	Vas	L
Total Q Factor	Qts	0.35			Motor Force Factor	BL	Tm
Ratio Fs/Qts	F	Fs/Qts	210.34		Motor Efficiency Factor	β	(T*M^2)/Ohms
Half Space Sensitivity @2.83V	db@2.83V/1M	dB	85.98	+/- 1.0db	Voice coil former Material	VCfm	KSV
Half Space Sensitivity @1W/1M	db@1W/1M	dB	83.3	+/- 1.0db	Voice coil inner diameter	VCd	mm
Gap Height	Gh	mm	6		Rated Noise Power	P	W
Maximum Linear Excursion	Xmax	mm	4.5		Test Spectrum Bandwidth	Fs-2.5KHZ	
Ferrofluid Type	FF				Driver Size	Inch	3.5 in
Driver Mass	Kg	0.88					

## Frequency and Impedance Response



Highcharts.com