

Model No: SLS-85S25CP04-08

Rev: 1.0

Product Line: Tymphany

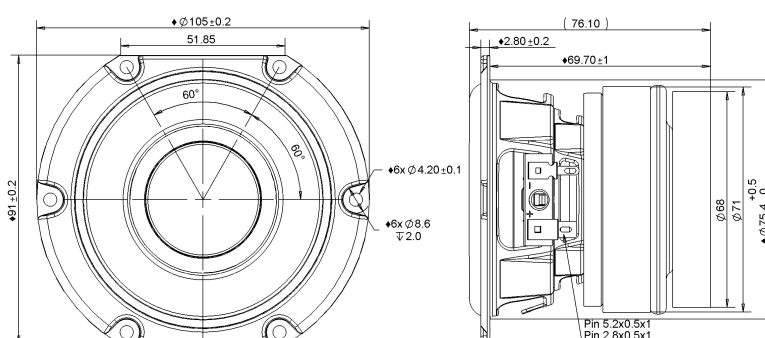
Last Update: 2015-08-17 17:12:41

Product Description

The SLS line combines high quality performance with an affordable design. This 3.5 inch 8 ohm member of the SLS family features a rigid steel basket, a paper cone, and a ferrite magnet motor with aluminium shorting ring for improved distortion performance.



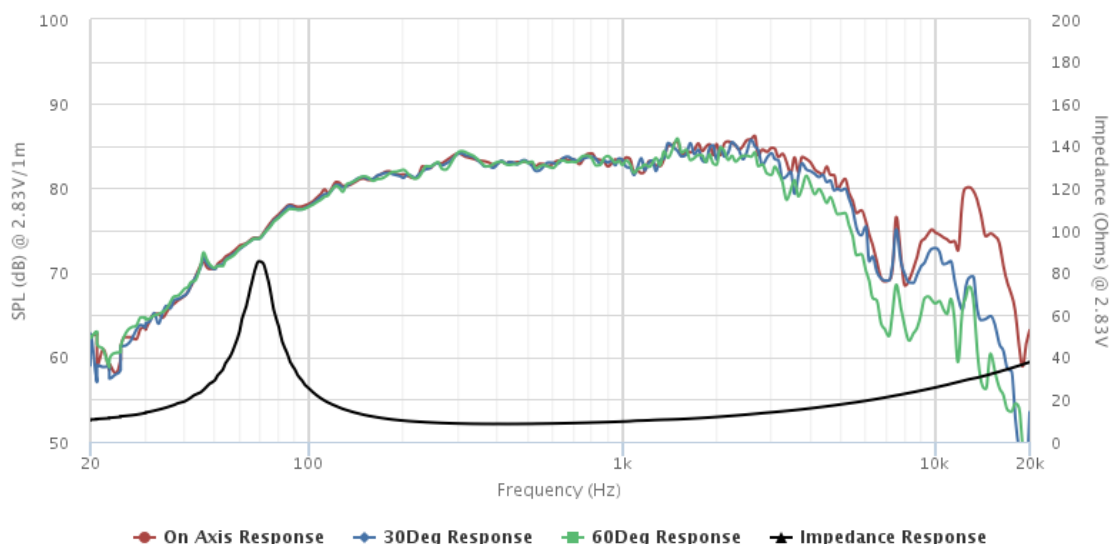
Mechanical Drawing



Specifications

DC Resistance	Revc	Ohms	6.43	5.0%	Energy Bandwidth Product	EBP	(1/Qes)*fs
Minimum Impedance	Zmin	Ohms	8.45	7.5%	Moving Mass	Mms	g
Voice Coil Inductance	Le	mH	0.27		Suspension Compliance	Cms	um/N
Resonant Frequency	Fs	Hz	73.74	15%	Effective Cone diameter	D	cm
Mechanical Q Factor	Qms		4.95		Effective Piston Area	Sd	cm ²
Electrical Q Factor	Qes		0.44		Effective Volume	Vas	L
Total Q Factor	Qts		0.4		Motor Force Factor	BL	Tm
Ratio Fs/Qts	F	Fs/Qts	182.97		Motor Efficiency Factor	β	(T*M ²)/Ohms
Half Space Sensitivity @2.83V	db@2.83V/1M	dB	83.04	+/- 1.0db	Voice coil former Material	VCfm	KSV
Half Space Sensitivity @1W/1M	db@1W/1M	dB	83.3	+/- 1.0db	Voice coil inner diameter	Vcd	mm
Gap Height	Gh	mm	6		Rated Noise Power	P	W
Maximum Linear Excursion	Xmax	mm	4.5		Test Spectrum Bandwidth	FS-2.5KHZ	
Ferrofluid Type	FF				Driver Size	Inch	3.5 in
Driver Mass	Kg		0.88				

Frequency and Impedance Response



Highcharts.com