

# MB15N405

MID - BASS

## DESCRIPTION

The MB15N405 is a hyperventated neo mid-bass design with a linear frequency response and very high efficiency. To get this performance the magnetic structure use a high flux neo disc and the cone assembly a fibre loaded exponential shape along with a high excursion triple roll, constant geometry surround. The fibreglass former and aluminium voice coil provide a very high power handling maintaining a light mass and a proper Q factor for bass alignment.



## FEATURES

- 4-inch, fiberglass inside/outside copper voice coil
- 2200W continuous program power handling
- 100 dB Sensitivity
- 45 Hz – 2.5 kHz Frequency range
- Dual-forced air ventilation for minimum power compression
- Triple roll surround and exponential cone geometry

## TECHNICAL SPECIFICATIONS

### General specifications

Nominal Diameter:	15 inch / 381 mm
Rated Impedance:	8 ohm
Program Power (watt):	2200 W
Power handling capacity:	1100 W
Sensitivity:	100.0 dB
Frequency range:	45 - 2500 Hz
Effective piston diameter:	340 mm / 13.39 inch
Max. Excursion Before Damage:	53 mm / 2.09 inch
Minimum Impedance (ohm):	5.9 ohm
Voice Coil Diameter:	4.0 inch / 102 mm
Voice Coil Winding Material:	Aluminium
Voice Coil Length:	20 mm / 0.79 inch
Number of layers:	2
Kind of layers:	inside/outside
Top Plate Thickness:	12 mm / 0.47 inch
Cone Design:	Curved
Surround Material:	Polycotton
Surround Design:	Triple roll
Magnets:	Neodymium
Hyperventated magnetic structure:	Yes
Spider:	Single

### Thiele - small parameters

Resonance frequency (Fs):	46 Hz
DC resistance (Re) (ohm):	5.50 ohm
Mechanical factor:	4.80 Qms
Electrical factor:	0.28 Qes
Total factor:	0.27 Qts
Bl factor (Bl) (T x m):	23.50 T x m
Effective moving mass (Mms):	98.0 g
Equivalent Cas air loaded (Vas):	124.0 liters
Effettive piston area (Sd):	0.090 m <sup>2</sup>
Max. linear excursion (Xmax):	7.0 mm
Voice coil inductance @ 1kHz (Le1k):	1.10 mH
Half-space efficiency (Eff):	4.10%

### Mounting informations

Overall diameter:	393 mm / 15.47 inches
Bolt circle diameter:	371-376 mm / 14.61-14.8 inch
Bolt hole diameter:	7 mm / 0.28 inch
Front mount baffle cut-out:	354 mm / 13.94 inch
Rear mount baffle cut-out:	354 mm / 13.94 inch
Volume occupied by the driver:	3.8 liters / 0.15 ft <sup>3</sup>

### Standard compliance

CE marking:	Yes
-------------	-----



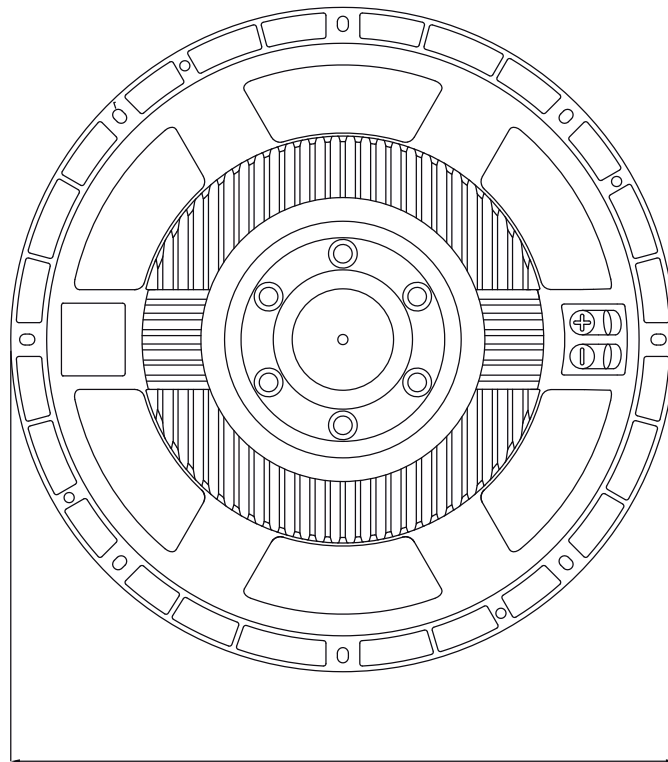
<b>Size</b>	Height:	160 mm / 6.3 inches
	Diameter:	393 mm / 15.47 inches
	Weight:	8.6 kg / 18.96 lbs

---

<b>Shipping informations</b>	Package Height:	209 mm / 8.23 inches
	Package Width:	439 mm / 17.28 inches
	Package Depth:	434 mm / 17.09 inches
	Package Weight:	9.3 kg / 20.5 lbs

## **PART NUMBER**

- **11100108**  
MB15N405  
8ohm



ø 393 mm

