

MB15X301

MID - BASS

DESCRIPTION

The MB15X301 is designed to provide an excellent frequency response linearity with very low distortion.

A strong magnetic structure guarantee dynamic and precision. The new dual forced hyper-venting system guarantee a very efficient voice coil ventilation for minimum power compression and incredible power handling. Triple roll surround and spider design offer great linearity and precise reproduction.



FEATURES

- 3-inch, fibreglass inside/outside aluminium voice coil
- 1000W continuous program power handling
- 98.5 dB Sensitivity
- 40 Hz - 3.0 kHz Frequency range
- Dual Forced Hyperventing System
- Triple roll surround and exponential cone geometry

TECHNICAL SPECIFICATIONS

General specifications

Nominal Diameter:	15 inch / 381 mm
Rated Impedance:	8 ohm
Program Power (watt):	1000 W
Power handling capacity:	500 W
Sensitivity:	98.5 dB
Frequency range:	40 - 3000 Hz
Effective piston diameter:	330 mm / 12.99 inch
Max. Excursion Before Damage:	40 mm / 1.57 inch
Minimum Impedance (ohm):	6.5 ohm
Voice Coil Diameter:	3.0 inch / 76 mm
Voice Coil Winding Material:	Aluminium
Voice Coil Length:	17 mm / 0.67 inch
Number of layers:	2
Kind of layers:	inside/outside
Top Plate Thickness:	10 mm / 0.39 inch
Cone Design:	Curved
Surround Material:	Polycotton
Surround Design:	Triple roll
Magnets:	Ceramic
Hypervented magnetic structure:	Yes
Spider:	Single

Thiele - small parameters

Resonance frequency (Fs):	38 Hz
DC resistance (Re) (ohm):	5.40 ohm
Mechanical factor:	5.00 Qms
Electrical factor:	0.37 Qes
Total factor:	0.34 Qts
Bl factor (Bl) (T x m):	18.00 T x m
Effective moving mass (Mms):	92.0 g
Equivalent Cas air loaded (Vas):	195.0 liters
Effettive piston area (Sd):	0.090 m ²
Max. linear excursion (Xmax):	6.0 mm
Voice coil inductance @ 1kHz (Le1k):	0.52 mH
Half-space efficiency (Eff):	2.80%

Mounting informations

Overall diameter:	393 mm / 15.47 inches
Bolt circle diameter:	371-376 mm / 14.61-14.8 inch
Bolt hole diameter:	7 mm / 0.28 inch
Front mount baffle cut-out:	354 mm / 13.94 inch
Rear mount baffle cut-out:	354 mm / 13.94 inch
Volume occupied by the driver:	4.5 liters / 0.18 ft ³

Standard compliance

CE marking:	Yes
-------------	-----

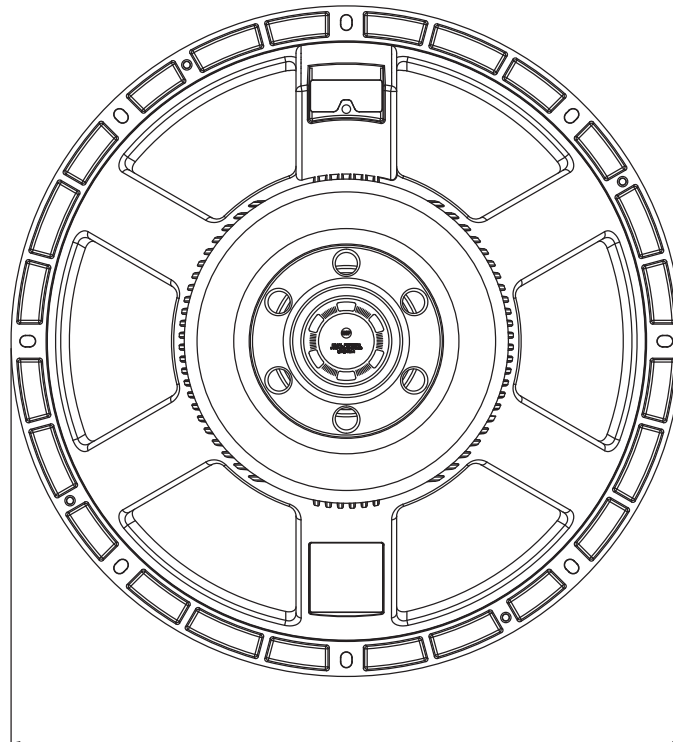


Size	Height:	167 mm / 6.57 inches
	Diameter:	393 mm / 15.47 inches
	Weight:	8 kg / 17.64 lbs

Shipping informations	Package Height:	209 mm / 8.23 inches
	Package Width:	439 mm / 17.28 inches
	Package Depth:	434 mm / 17.09 inches
	Package Weight:	9.5 kg / 20.94 lbs

PART NUMBER

- **11100106**
MB15X301
8ohm



Ø 393 mm

