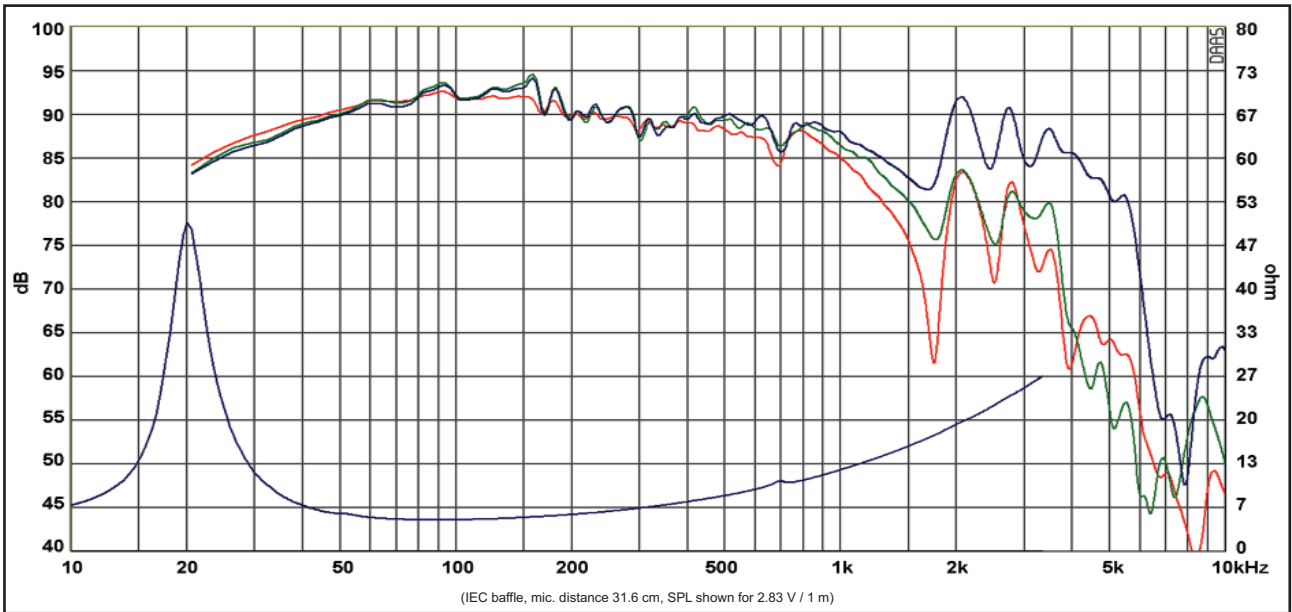
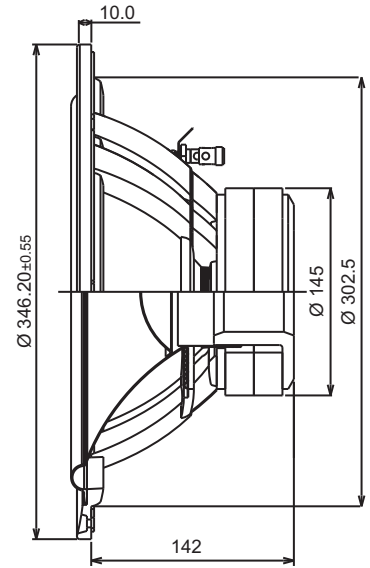
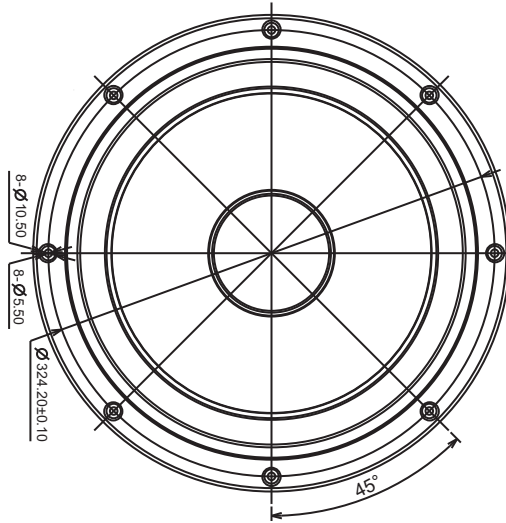


# ACOUSTICS

## 12" SB34NRX75-6



Response Curve :

— (Blue) : on axis      — (Green) : 30° off-axis      — (Red) : 60° off-axis

### Specs :

|                           |                     |                            |            |
|---------------------------|---------------------|----------------------------|------------|
| Nominal Impedance         | 6 Ω                 | Free air resonance, Fs     | 19 Hz      |
| DC resistance, Re         | 4.2 Ω               | Sensitivity (2.83 V / 1 m) | 90 dB      |
| Voice coil inductance, Le | 1.8 mH              | Mechanical Q-factor, Qms   | 5.1        |
| Effective piston area, Sd | 508 cm <sup>2</sup> | Electrical Q-factor, Qes   | 0.43       |
| Voice coil diameter       | 75.6 mm             | Total Q-factor, Qts        | 0.40       |
| Voice coil height         | 28 mm               | Moving mass incl.air, Mms  | 99 g       |
| Air gap height            | 6 mm                | Force factor, Bl           | 10.7 Tm    |
| Linear coil travel (p-p)  | 22 mm               | Equivalent volume, Vas     | 260 liters |
| Magnetic flux density     | 0.9 T               | Compliance, Cms            | 0.71 mm/N  |
| Magnet weight             | 2.1 kg              | Mechanical loss, Rms       | 2.3 kg/s   |
| Net weight                | 5.85 kg             | Rated power handling*      | 200 W      |

\* IEC 268-5, T/S parameters measured on drive units that are broken in.