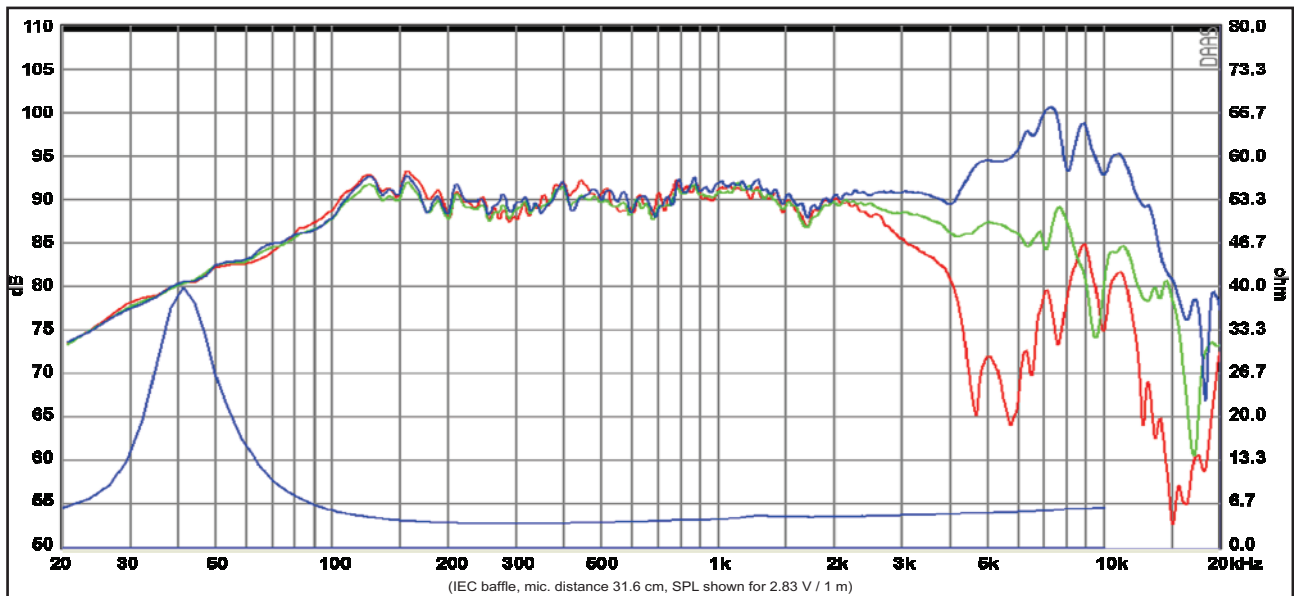
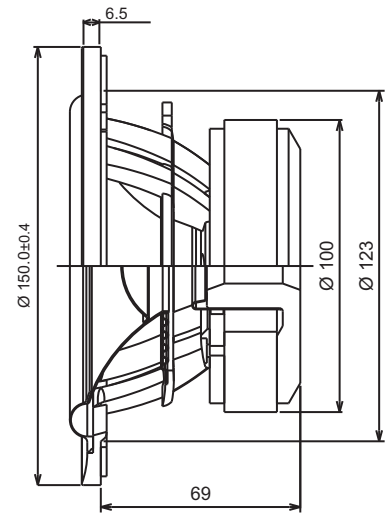
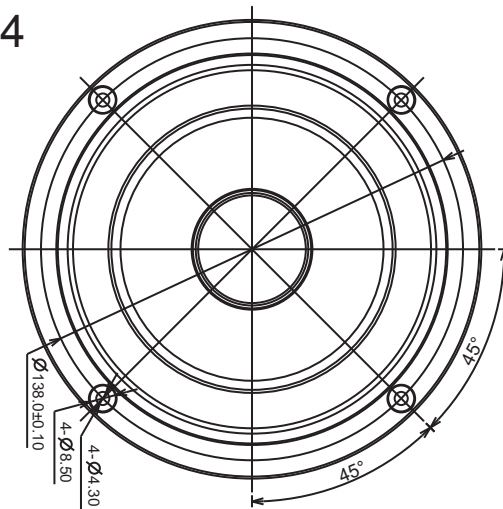


# ACOUSTICS

## 5" SB15NRXC30-4



Response Curve :

— (Blue) : on axis      — (Green) : 30° off-axis      — (Red) : 60° off-axis

### Specs :

|                           |                    |                            |             |
|---------------------------|--------------------|----------------------------|-------------|
| Nominal Impedance         | 4 Ω                | Free air resonance, Fs     | 41 Hz       |
| DC resistance, Re         | 3.1 Ω              | Sensitivity (2.83 V / 1 m) | 91 dB       |
| Voice coil inductance, Le | 0.12 mH            | Mechanical Q-factor, Qms   | 5.3         |
| Effective piston area, Sd | 82 cm <sup>2</sup> | Electrical Q-factor, Qes   | 0.31        |
| Voice coil diameter       | 30.5 mm            | Total Q-factor, Qts        | 0.29        |
| Voice coil height         | 15 mm              | Moving mass incl.air, Mms  | 8.6 g       |
| Air gap height            | 5 mm               | Force factor, Bl           | 4.7 Tm      |
| Linear coil travel (p-p)  | 10 mm              | Equivalent volume, Vas     | 16.7 liters |
| Magnetic flux density     | 1.0 T              | Compliance, Cms            | 1.75 mm/N   |
| Magnet weight             | 0.54 kg            | Mechanical loss, Rms       | 0.42 kg/s   |
| Net weight                | 1.48 kg            | Rated power handling*      | 50 W        |

\* IEC 268-5, T/S parameters measured on drive units that are broken in.