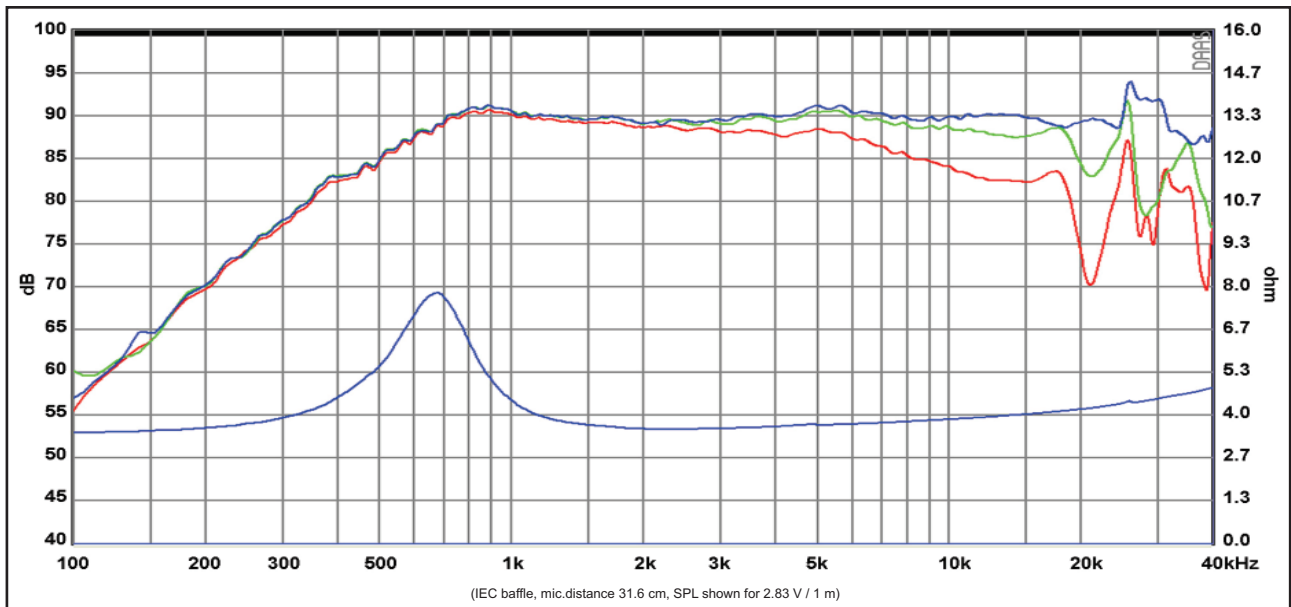
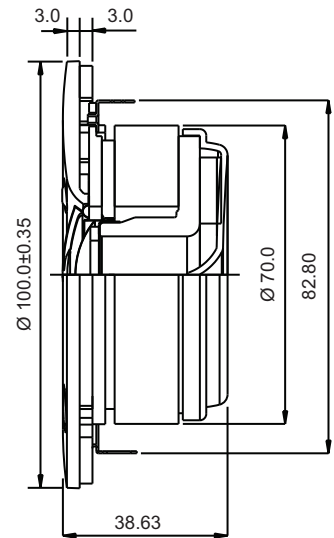
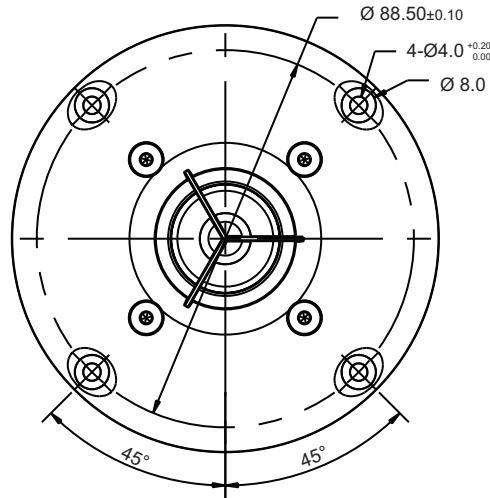


ACOUSTICS

SB26ADC-C000-4



Response Curve :

— (Blue) : on axis — (Green) : 30° off-axis — (Red) : 60° off-axis

Specs :

Nominal Impedance	4 Ω	Free air resonance, Fs	680 Hz
DC resistance, Re	3.2 Ω	Sensitivity (2.83 V / 1 m)	90 dB
Voice coil inductance, Le	0.04 mH	Mechanical Q-factor, Qms	2.7
Effective piston area, Sd	6.2 cm ²	Electrical Q-factor, Qes	1.88
Voice coil diameter	25.4 mm	Total Q-factor, Qts	1.11
Voice coil height	1.3 mm	Force factor, Bl	1.6 Tm
Air gap height	2.5 mm	Rated power handling*	120 W
Linear coil travel (p-p)	1.2 mm	Magnetic flux density	1.15 T
Moving mass incl. air, Mms	0.38 g	Magnet weight	0.22 kg
		Net weight	0.5 kg

* IEC 268-5, high-pass Butterworth, 2600 Hz, 12 dB/oct.