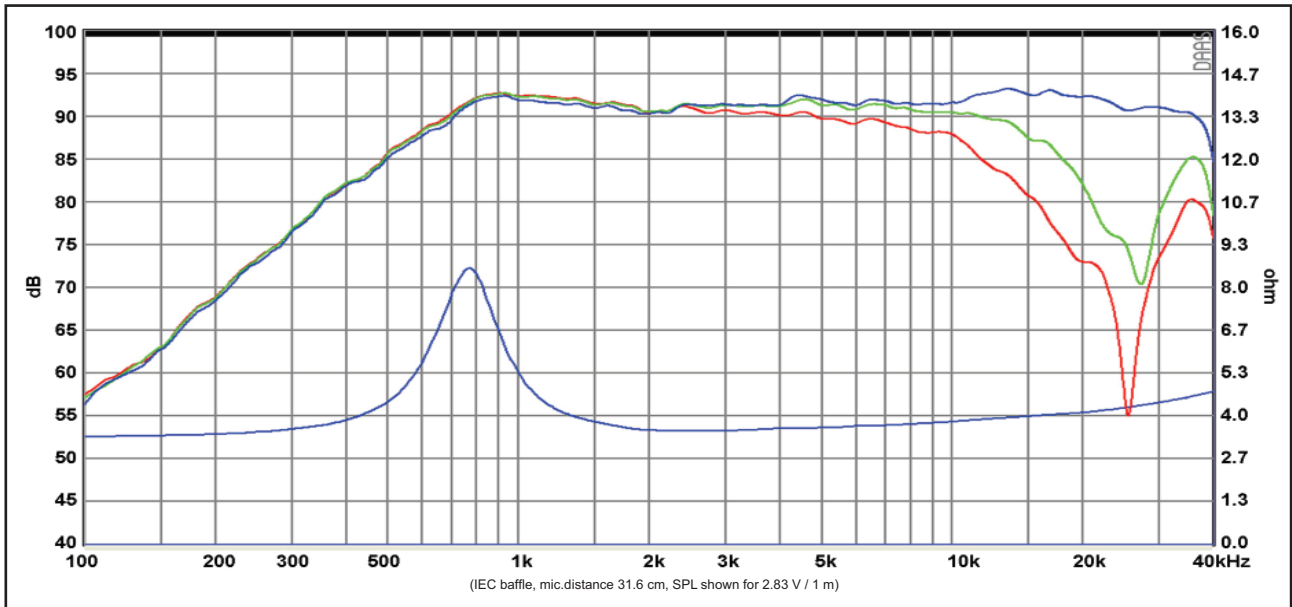
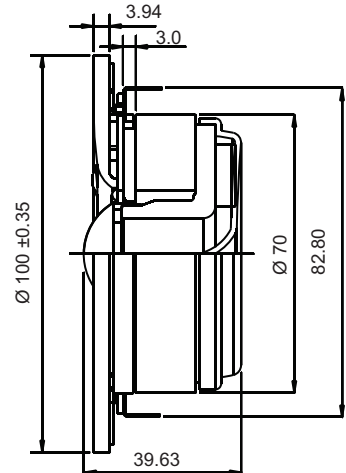
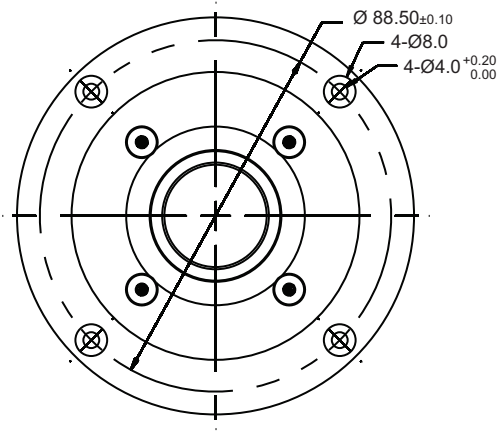
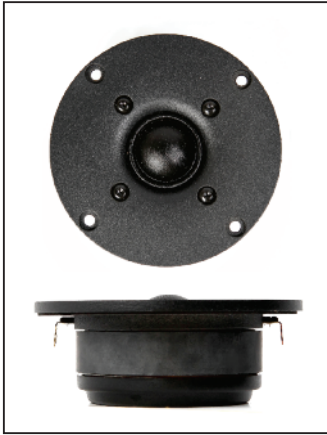


# ACOUSTICS

SB26STAC-C000-4



Response Curve :

— (Blue) : on axis      — (Green) : 30° off-axis      — (Red) : 60° off-axis

## Specs :

Nominal Impedance	4 Ω	Free air resonance, F <sub>s</sub>	750 Hz
DC resistance, R <sub>e</sub>	3.2 Ω	Sensitivity (2.83 V / 1 m)	91.5 dB
Voice coil inductance, L <sub>e</sub>	0.04 mH	Mechanical Q-factor, Q <sub>ms</sub>	3.0
Effective piston area, S <sub>d</sub>	6.2 cm <sup>2</sup>	Electrical Q-factor, Q <sub>es</sub>	1.78
Voice coil diameter	25.4 mm	Total Q-factor, Q <sub>ts</sub>	1.12
Voice coil height	1.3 mm	Force factor, Bl	1.6 Tm
Air gap height	2.5 mm	Rated power handling*	120 W
Linear coil travel (p-p)	1.2 mm	Magnetic flux density	1.15 T
Moving mass incl. air, M <sub>ms</sub>	0.3 g	Magnet weight	0.22 kg
		Net weight	0.53 kg

\* IEC 268-5, high-pass Butterworth, 2600 Hz, 12 dB/oct.