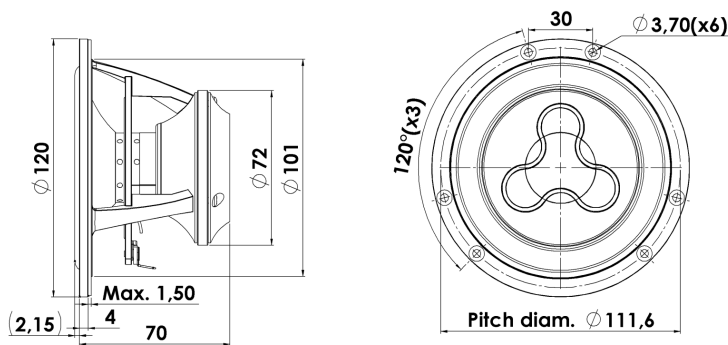




MIDRANGE

12MU/4731T00

The Illuminator midranges and midwoofers are in every aspect unusual designs with the open construction, the extremely long linear excursion and patented under-hung SD-3 (Symmetrical Drive) neodymium motor system, which due to copper caps and its construction ensures very low distortion, adding the unique patented cones, low-loss linear suspension the result is: "The Very Best Money Can Buy"!



KEY FEATURES:

- Under-Hung Neodymium Motor Design
- One Piece Cone-Dust Cap
- Very Wide Frequency Response 100-10KHz
- Patented Symmetrical Drive (SD-3)
- Low-Loss Linear Suspension
- High Output 90dB @ 2,83V

T-S Parameters

Resonance frequency [fs]	64 Hz
Mechanical Q factor [Qms]	3.64
Electrical Q factor [Qes]	0.26
Total Q factor [Qts]	0.24
Force factor [Bl]	5.1 Tm
Mechanical resistance [Rms]	0.60 kg/s
Moving mass [Mms]	5.4 g
Suspension compliance [Cms]	1.15 mm/N
Effective diaph. diameter [D]	86 mm
Effective piston area [Sd]	58 cm ²
Equivalent volume [Vas]	5.4 l
Sensitivity (2.83V/1m)	90 dB
Ratio Bl/√Re	2.92 N/√W
Ratio fs/Qts	264 Hz

Notes:

IEC specs. refer to IEC 60268-5 third edition.
All Scan-Speak products are RoHS compliant.
Data are subject to change without notice.
Datasheet updated: February 22, 2011.

Electrical Data

Nominal impedance [Zn]	4 Ω
Minimum impedance [Zmin]	4.3 Ω
Maximum impedance [Zo]	46.5 Ω
DC resistance [Re]	3.1 Ω
Voice coil inductance [Le]	0.11 mH

Power Handling

100h RMS noise test (IEC 17.1)*	80 W
Long-term max power (IEC 17.3)*	150 W

*Filter: 2. order HP Butterworth, 200 Hz

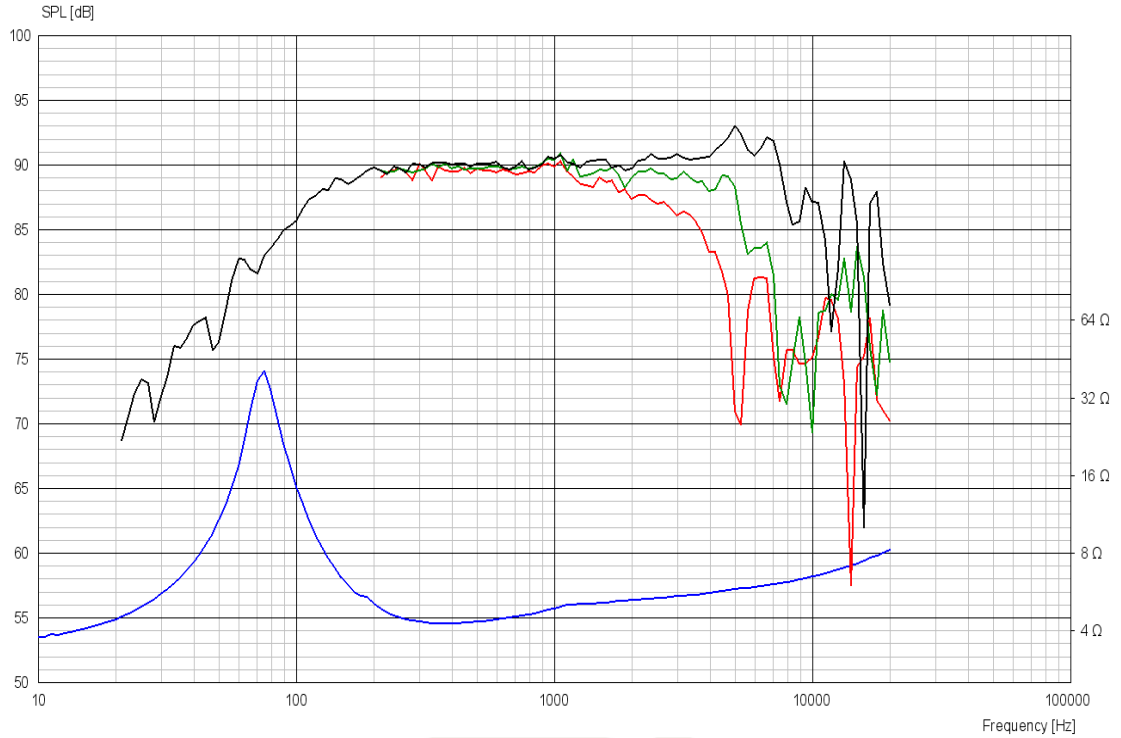
Voice Coil and Magnet Data

Voice coil diameter	32 mm
Voice coil height	6 mm
Voice coil layers	4
Height of gap	13 mm
Linear excursion	± 3.5 mm
Max mech. excursion	± 10 mm
Unit weight	0.8 kg

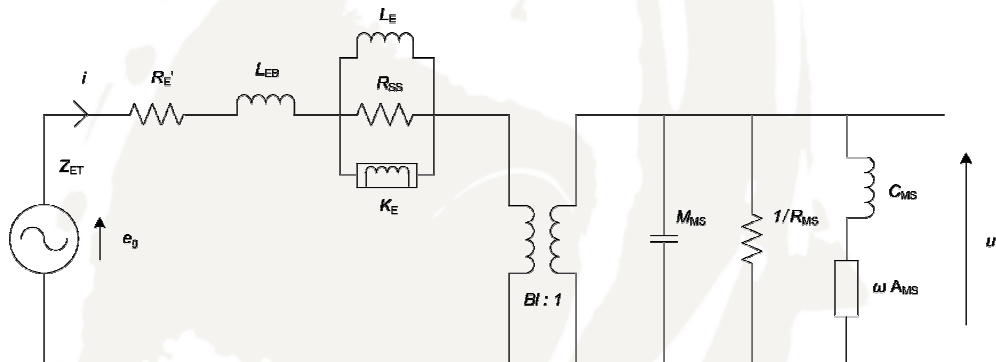


MIDRANGE

12MU/4731T00



Advanced Parameters (Preliminary)



Electrical data:

Resistance [Re']	3.43 Ω
Free inductance [L _{eb}]	0.0467 mH
Bound inductance [L _e]	0.659 mH
Semi-inductance [K _e]	0.0590 SH
Shunt resistance [R _{ss}]	2.59 Ω

Mechanical Data

Force Factor [Bl]	4.57 Tm
Moving mass [M _{ms}]	5.42 g
Compliance [C _{ms}]	1.03 mm/N
Mechanical resistance [R _{ms}]	0.214 kg/s
Admittance [A _{ms}]	0.152 mm/N