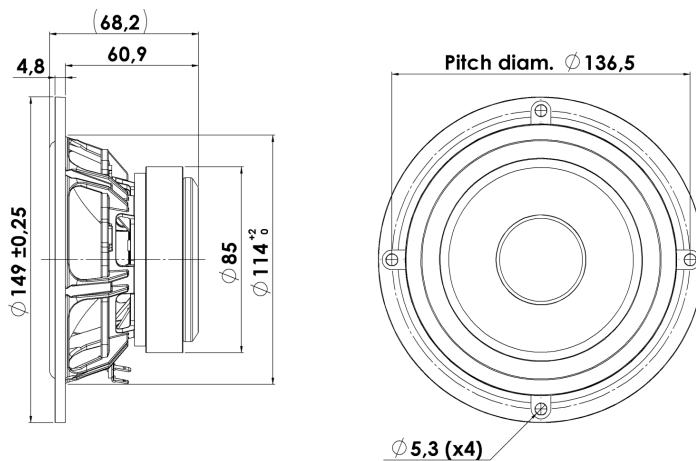




MIDWOOFER

15W/8424G00

The Discovery series offer traditional design, superior sound, a solid construction, and a wide range of variants. Combining these elements - plus a wealth of technical features and finesses - it gives our customers the possibility of acquiring a tailor-made Scan-Speak solution with very good performance at a reasonable low price point!



KEY FEATURES:

- Excellent Midrange Performance
- Low Damping SBR Rubber Surround
- Coated NRSC Fibre Glass Cone
- Die cast Alu Chassis vented below spider

T-S Parameters

Resonance frequency [fs]	46 Hz
Mechanical Q factor [Qms]	3.60
Electrical Q factor [Qes]	0.27
Total Q factor [Qts]	0.25
Force factor [Bl]	6.6 Tm
Mechanical resistance [Rms]	0.60 kg/s
Moving mass [Mms]	7.54 g
Suspension compliance [Cms]	1.62 mm/N
Effective diaph. diameter [D]	101 mm
Effective piston area [Sd]	80 cm ²
Equivalent volume [Vas]	14.5 l
Sensitivity (2.83V/1m)	87.7 dB
Ratio Bl/√Re	2.81 N/√W
Ratio fs/Qts	182 Hz

Notes:

IEC specs. refer to IEC 60268-5 third edition.
All Scan-Speak products are RoHS compliant.
Data are subject to change without notice.
Datasheet updated: February 22, 2011.

Electrical Data

Nominal impedance [Zn]	8 Ω
Minimum impedance [Zmin]	6.6 Ω
Maximum impedance [Zo]	78.8 Ω
DC resistance [Re]	5.5 Ω
Voice coil inductance [Le]	0.5 mH

Power Handling

100h RMS noise test (IEC 17.1)	60 W
Long-term max power (IEC 17.3)	120 W

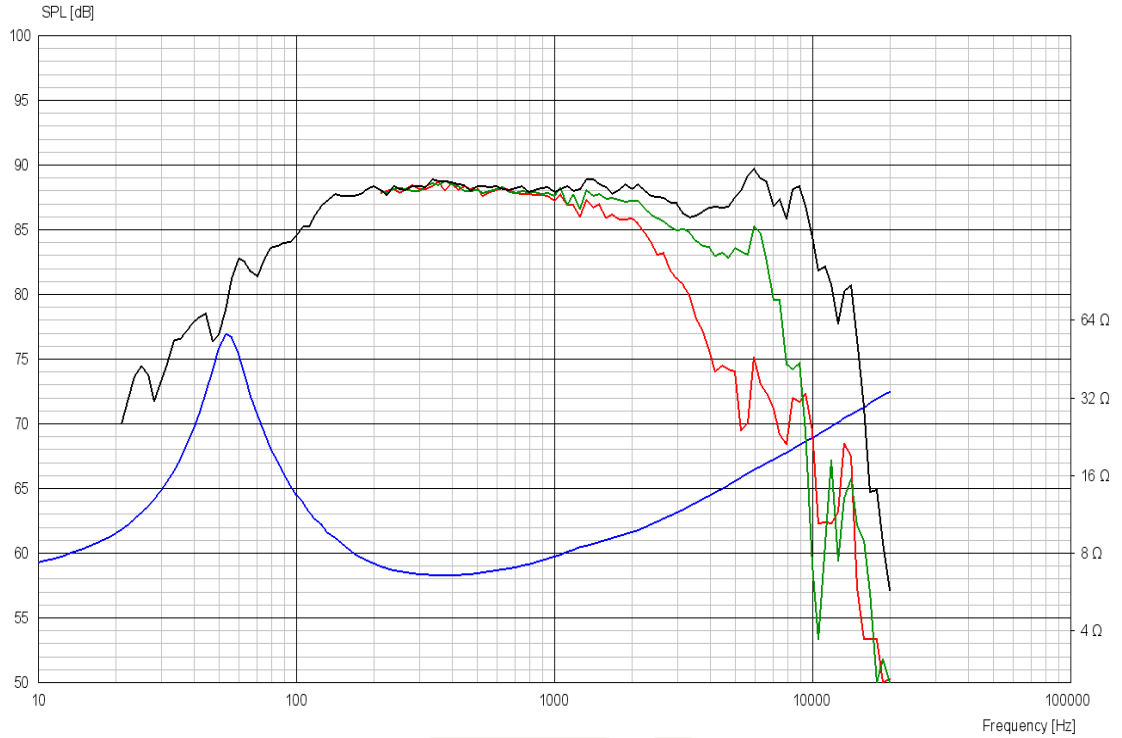
Voice Coil and Magnet Data

Voice coil diameter	25 mm
Voice coil height	10.2 mm
Voice coil layers	2
Height of gap	5 mm
Linear excursion	± 2.6 mm
Max mech. excursion	± 8 mm
Unit weight	1 kg



MIDWOOFER

15W/8424G00



Advanced Parameters (Preliminary)



Electrical data:

Resistance [Re']	5.67 Ω
Free inductance [L _b]	0.0231 mH
Bound inductance [L _e]	0.782 mH
Semi-inductance [K _e]	0.0992 SH
Shunt resistance [R _{ss}]	1813 Ω

Mechanical Data

Force Factor [Bl]	6.25 Tm
Moving mass [M _{ms}]	7.67 g
Compliance [C _{ms}]	1.16 mm/N
Mechanical resistance [R _{ms}]	0.122 kg/s
Admittance [A _{ms}]	0.292 mm/N