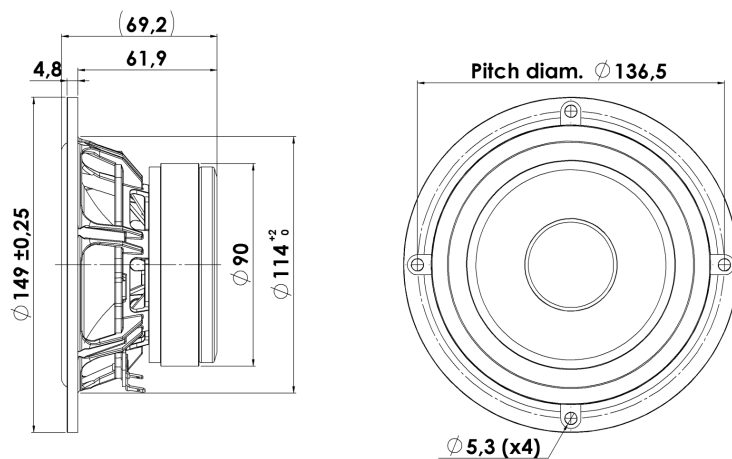




MIDWOOFER

15W/8434G00

The Discovery series offer traditional design, superior sound, a solid construction, and a wide range of variants. Combining these elements - plus a wealth of technical features and finesses - it gives our customers the possibility of acquiring a tailor-made Scan-Speak solution with very good performance at a reasonable low price point!



KEY FEATURES:

- Coated NRSC Fibre Glass Cone
- Low Damping SBR Rubber Surround
- Magnet System w. Alu Ring
- Die cast Alu Chassis vented below spider

T-S Parameters

Resonance frequency [fs]	45 Hz
Mechanical Q factor [Qms]	3.74
Electrical Q factor [Qes]	0.27
Total Q factor [Qts]	0.25
Force factor [Bl]	7.3 Tm
Mechanical resistance [Rms]	0.66 kg/s
Moving mass [Mms]	8.61 g
Suspension compliance [Cms]	1.43 mm/N
Effective diaph. diameter [D]	101 mm
Effective piston area [Sd]	80 cm ²
Equivalent volume [Vas]	12.8 l
Sensitivity (2.83V/1m)	86.9 dB
Ratio Bl/√Re	3.05 N/√W
Ratio fs/Qts	180 Hz

Notes:

IEC specs. refer to IEC 60268-5 third edition.
All Scan-Speak products are RoHS compliant.
Data are subject to change without notice.
Datasheet updated: February 22, 2011.

Electrical Data

Nominal impedance [Zn]	8 Ω
Minimum impedance [Zmin]	7.1 Ω
Maximum impedance [Zo]	84.7 Ω
DC resistance [Re]	5.7 Ω
Voice coil inductance [Le]	0.8 mH

Power Handling

100h RMS noise test (IEC 17.1)	60 W
Long-term max power (IEC 17.3)	120 W

Voice Coil and Magnet Data

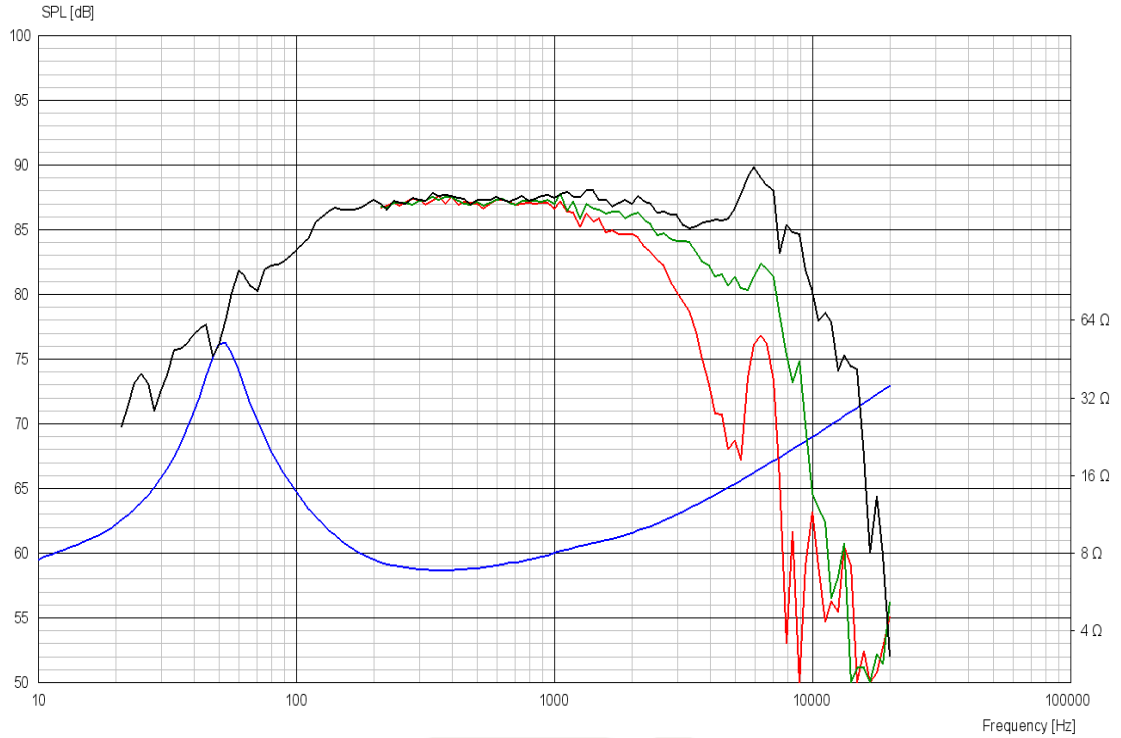
Voice coil diameter	25 mm
Voice coil height	13.4 mm
Voice coil layers	2
Height of gap	5 mm
Linear excursion	± 4.2 mm
Max mech. excursion	± 8 mm
Unit weight	1.2 kg



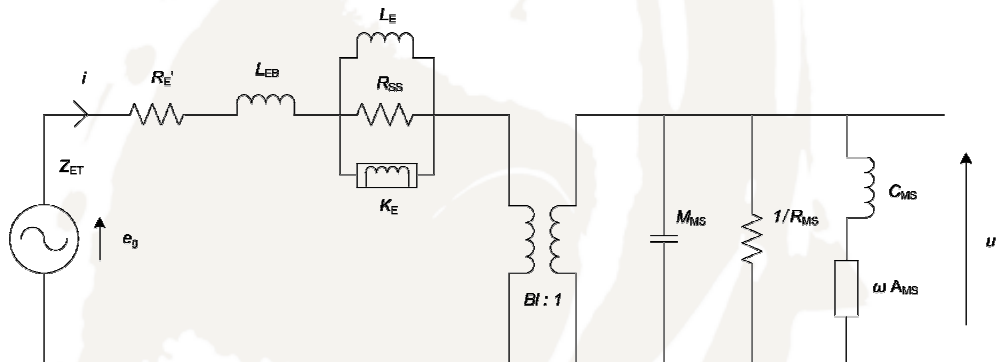
DISCOVERY

MIDWOOFER

15W/8434G00



Advanced Parameters (Preliminary)



Electrical data:

Resistance [Re']	5.90 Ω
Free inductance [L _{eb}]	0.105 mH
Bound inductance [L _e]	0.772 mH
Semi-inductance [K _e]	0.0678 SH
Shunt resistance [R _{ss}]	2289 Ω

Mechanical Data

Force Factor [BI]	6.97 Tm
Moving mass [M _{ms}]	9.47 g
Compliance [C _{ms}]	1.00 mm/N
Mechanical resistance [R _{ms}]	0.234 kg/s
Admittance [A _{ms}]	0.261 mm/N

