

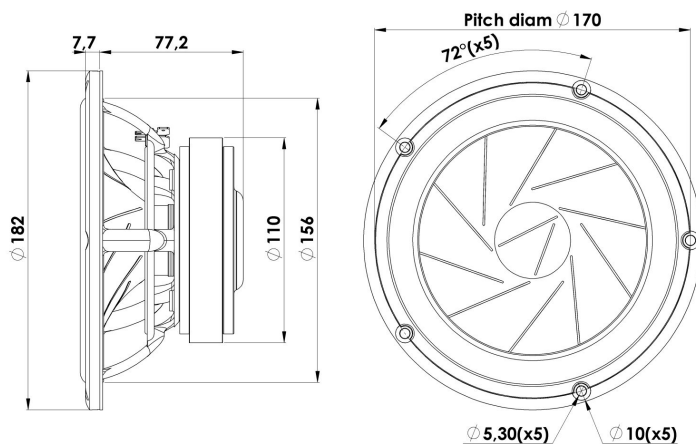


REVELATOR

MIDRANGE

18M/4631T00

The Revelator midranges are well known for their sliced paper cone technology. The slices are filled with damping glue which dramatically reduces break-up modes in the diaphragm. In combination with Scan-Speaks low-loss linear suspension and the patented Symmetrical Drive (SD-1) it represents a breakthrough in midrange clarity and overall smooth frequency response characteristics.



KEY FEATURES:

- Patented Symmetrical Drive motor design
- Low-loss Linear Suspension
- Coated Foam Surround
- Sliced Cone (Control Cone Breakups)
- High Sensitivity 92dB @ 2,83V
- Rigid Titanium Voice Coil Former

T-S Parameters

Resonance frequency [fs]	65 Hz
Mechanical Q factor [Qms]	5.65
Electrical Q factor [Qes]	0.67
Total Q factor [Qts]	0.60
Force factor [Bl]	5.6 Tm
Mechanical resistance [Rms]	1.03 kg/s
Moving mass [Mms]	14.3 g
Compliance [Cms]	0.42 mm/N
Effective diaph. diameter [D]	138 mm
Effective piston area [Sd]	154 cm ²
Equivalent volume [Vas]	14.0 l
Sensitivity (2.83V/1m)	92 dB
Ratio Bl/√Re	2.96 N/√W
Ratio fs/Qts	110 Hz

Notes:

IEC specs. refer to IEC 60268-5 third edition.
All Scan-Speak products are RoHS compliant.
Data are subject to change without notice.
Datasheet updated: March 16, 2016.

Electrical Data

Nominal impedance [Zn]	4 Ω
Minimum impedance [Zmin]	3.9 Ω
Maximum impedance [Zo]	29 Ω
DC resistance [Re]	3.5 Ω
Voice coil inductance [Le]	0.16 mH

Power Handling

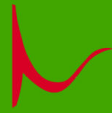
100h RMS noise test (IEC 17.1)*	120 W
Long-term max power (IEC 17.3)*	250 W

*Filter: 2. order HP Butterworth, 100Hz

Voice Coil & Magnet Data

Voice coil diameter	38 mm
Voice coil height	11 mm
Voice coil layers	2
Height of gap	5 mm
Linear excursion	± 3 mm
Max mech. excursion	± 14.5 mm
Unit weight	1.7 kg

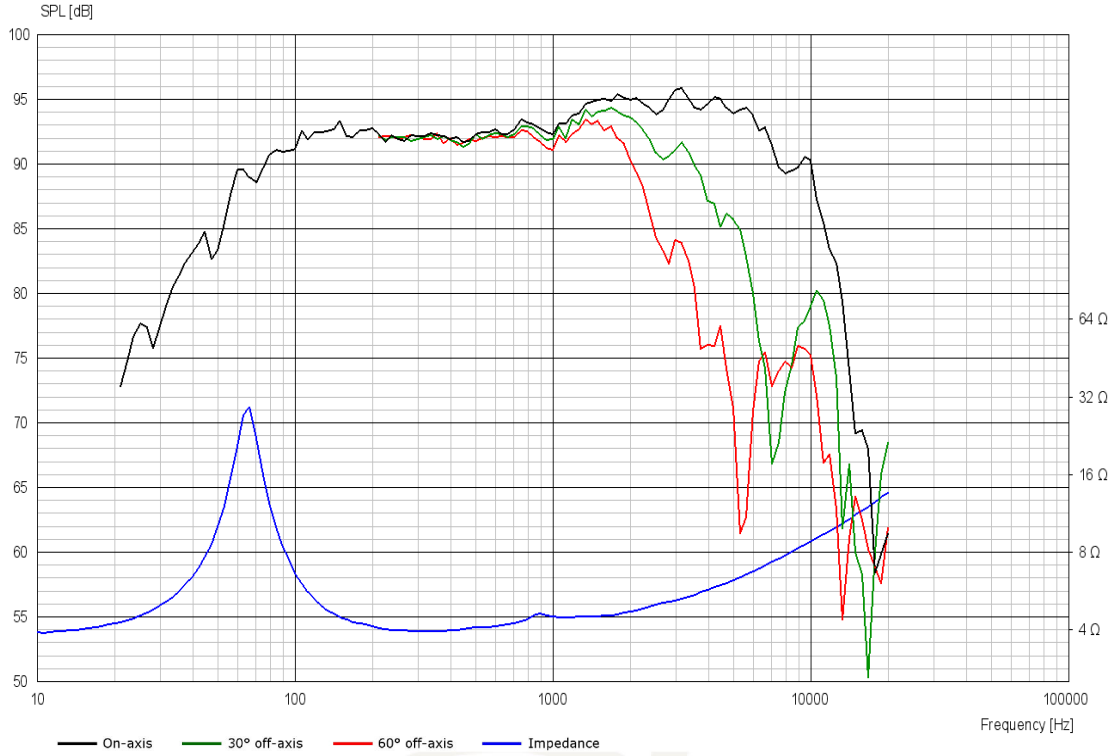




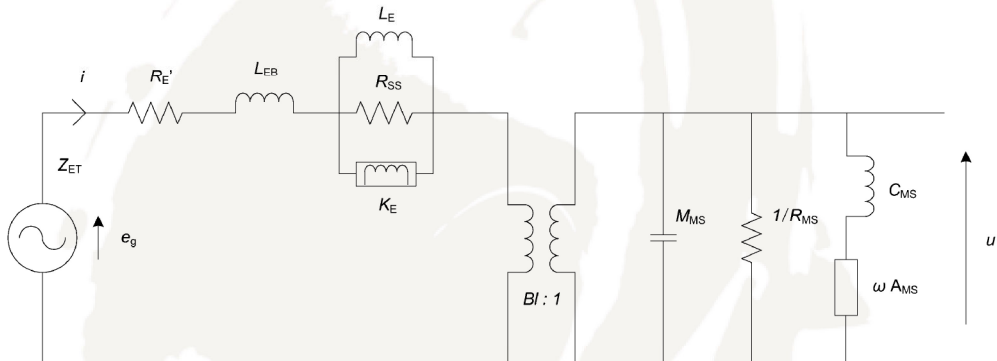
REVELATOR

MIDRANGE

18M/4631T00



Advanced Parameters (Preliminary)



Electrical data

Resistance [$R_{E'}$]	- Ω
Free inductance [L_{EB}]	- mH
Bound inductance [L_E]	- mH
Semi-inductance [K_E]	- SH
Shunt resistance [R_{SS}]	- Ω

Mechanical Data

Force Factor [BI]	- Tm
Moving mass [M_{MS}]	- g
Compliance [C_{MS}]	- mm/N
Mechanical resistance [R_{MS}]	- kg/s
Admittance [A_{MS}]	- mm/N



SCANSPEAK