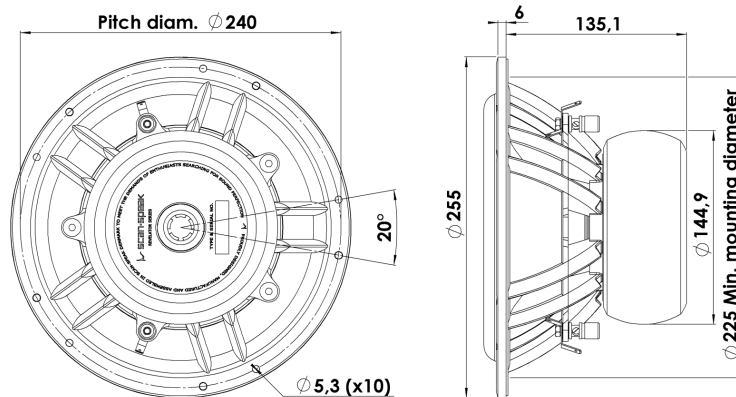


# REVELATOR

## SUBWOOFER

## 23W/4557T02

The Revelator woofers and subwoofers features very rigid cones in paper or aluminium that operates as a piston over a wide frequency range, in combination with Scan-Speaks linear suspension and the patented Symmetrical Drive (SD-1) it results in very low distortion and a smooth and well behaved frequency response as well as perfect transient reproduction.



### KEY FEATURES:

- Patented Symmetrical Drive Motor Design
- Long Throw Surround
- Ferrite Magnet System w. Rubber Boot
- Black Anodized Rigid Alu Cone
- Die cast Alu Chassis vented below spider
- Gold Binding Post Terminals

#### T-S Parameters

Resonance frequency [fs]	21 Hz
Mechanical Q factor [Qms]	4.80
Electrical Q factor [Qes]	0.52
Total Q factor [Qts]	0.47
Force factor [Bl]	9.3 Tm
Mechanical resistance [Rms]	2.71 kg/s
Moving mass [Mms]	101 g
Suspension compliance [Cms]	0.60 mm/N
Effective diaph. diameter [D]	172 mm
Effective piston area [Sd]	232 cm <sup>2</sup>
Equivalent volume [Vas]	45.0 l
Sensitivity (2.83V/1m)	82 dB
Ratio Bl/√Re	5.01 N/√W
Ratio fs/Qts	44 Hz

#### Notes:

IEC specs. refer to IEC 60268-5 third edition.  
All Scan-Speak products are RoHS compliant.  
Data are subject to change without notice.  
Datasheet updated: February 24, 2011.

#### Electrical Data

Nominal impedance [Zn]	4 Ω
Minimum impedance [Zmin]	4.6 Ω
Maximum impedance [Zo]	35.3 Ω
DC resistance [Re]	3.45 Ω
Voice coil inductance [Le]	0.45 mH

#### Power Handling

100h RMS noise test (IEC 17.1)	225 W
Long-term max power (IEC 17.3)	- W

#### Voice Coil and Magnet Data

Voice coil diameter	50 mm
Voice coil height	34 mm
Voice coil layers	2
Height of gap	8 mm
Linear excursion	± 13 mm
Max mech. excursion	± 20 mm
Unit weight	4.6 kg

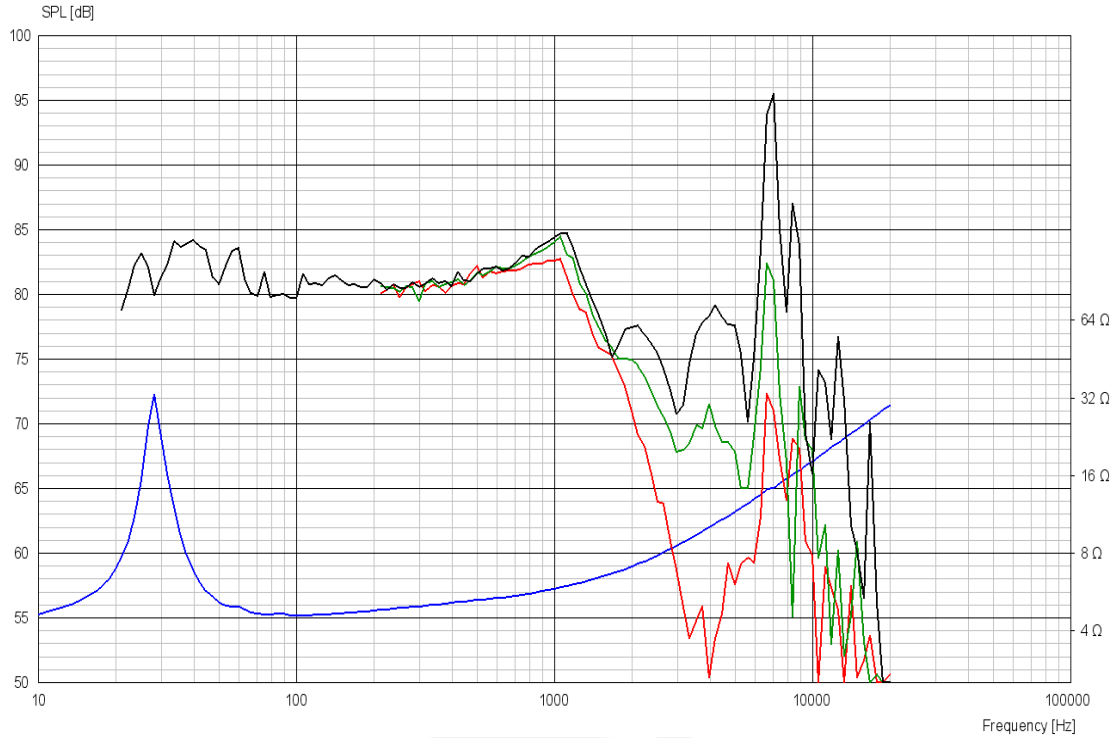




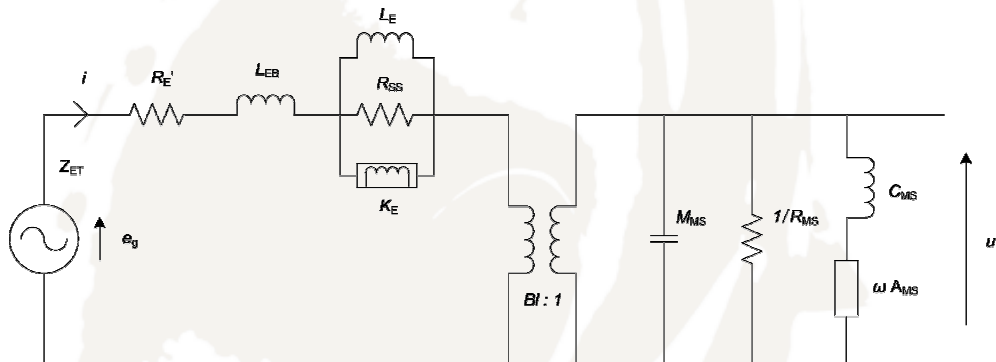
# REVELATOR

## SUBWOOFER

## 23W/4557T02



### Advanced Parameters (Preliminary)



#### Electrical data:

Resistance [Re']	4.05 Ω
Free inductance [L <sub>b</sub> ]	0.146 mH
Bound inductance [L <sub>e</sub> ]	0.823 mH
Semi-inductance [K <sub>e</sub> ]	0.0346 SH
Shunt resistance [R <sub>ss</sub> ]	10126 Ω

#### Mechanical Data

Force Factor [Bl]	8.30 Tm
Moving mass [M <sub>ms</sub> ]	113 g
Compliance [C <sub>ms</sub> ]	0.395 mm/N
Mechanical resistance [R <sub>ms</sub> ]	1.893 kg/s
Admittance [A <sub>ms</sub> ]	0.00994 mm/N



# SCANSPEAK