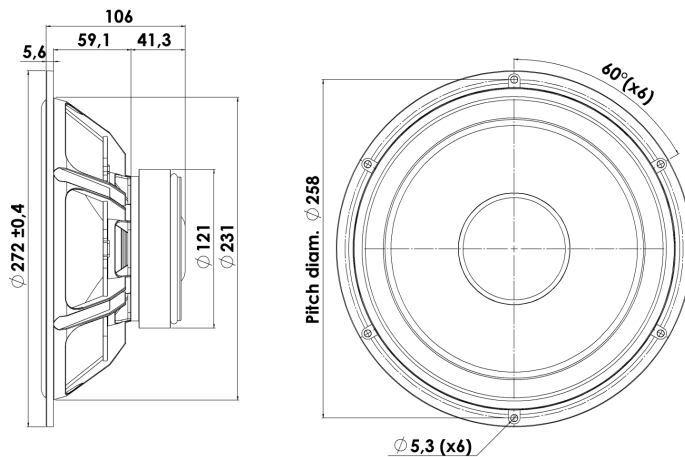




## WOOFER

## 26W/4534G00

The Discovery series offer traditional design, superior sound, a solid construction, and a wide range of variants. Combining these elements - plus a wealth of technical features and finesses - it gives our customers the possibility of acquiring a tailor-made Scan-Speak solution with very good performance at a reasonable low price point!



### KEY FEATURES:

- Black Anodized Alu Cone
- Magnet System w. Alu Ring
- Low Resonance Freq. 23Hz
- Coated Fibre Glass Dust Cap
- Die cast Alu Chassis vented below spider

#### T-S Parameters

Resonance frequency [fs]	23 Hz
Mechanical Q factor [Qms]	9.57
Electrical Q factor [Qes]	0.37
Total Q factor [Qts]	0.36
Force factor [Bl]	8.8 Tm
Mechanical resistance [Rms]	0.80 kg/s
Moving mass [Mms]	52 g
Suspension compliance [Cms]	0.92 mm/N
Effective diaph. diameter [D]	211 mm
Effective piston area [Sd]	350 cm <sup>2</sup>
Equivalent volume [Vas]	156 l
Sensitivity (2.83V/1m)	90.5 dB
Ratio Bl/√Re	4.51 N/√W
Ratio fs/Qts	63.9 Hz

#### Notes:

IEC specs. refer to IEC 60268-5 third edition.  
All Scan-Speak products are RoHS compliant.  
Data are subject to change without notice.  
Datasheet updated: April 14, 2011

#### Electrical Data

Nominal impedance [Zn]	4 Ω
Minimum impedance [Zmin]	4.5 Ω
Maximum impedance [Zo]	87.2 Ω
DC resistance [Re]	3.8 Ω
Voice coil inductance [Le]	0.70 mH

#### Power Handling

100h RMS noise test (IEC 17.1)	90 W
Long-term max power (IEC 17.3)	175 W

#### Voice Coil and Magnet Data

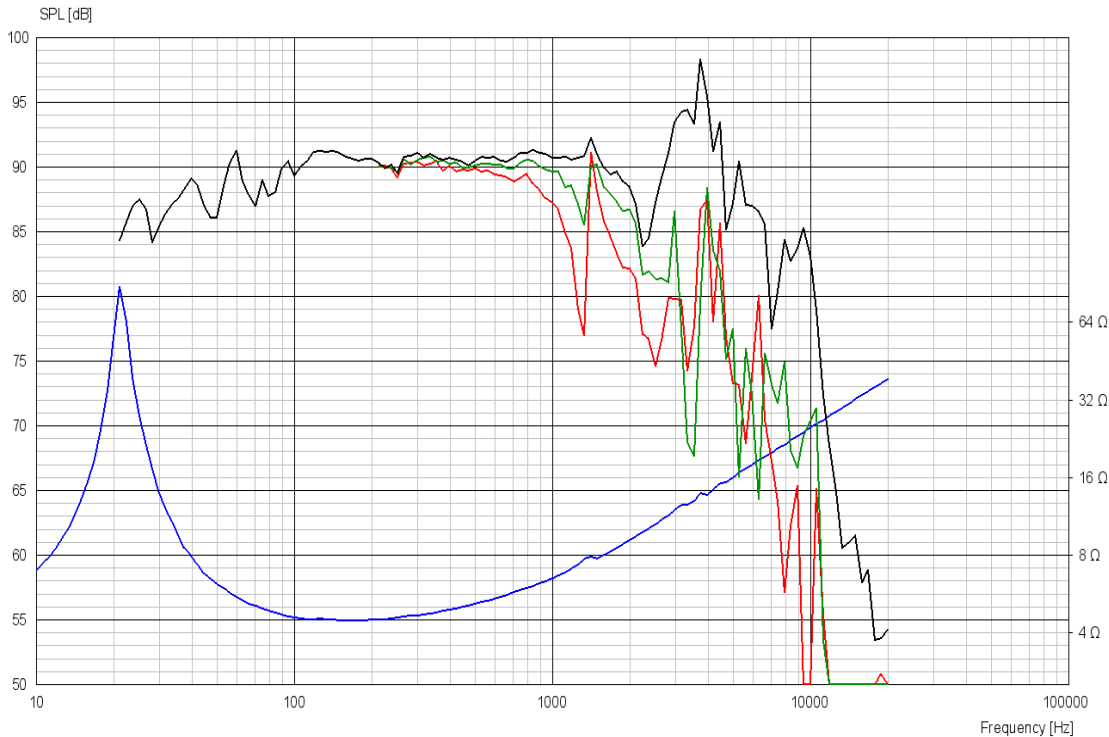
Voice coil diameter	38 mm
Voice coil height	18 mm
Voice coil layers	2
Height of gap	6 mm
Linear excursion	± 6 mm
Max mech. excursion	± 12 mm
Unit weight	2.9 kg



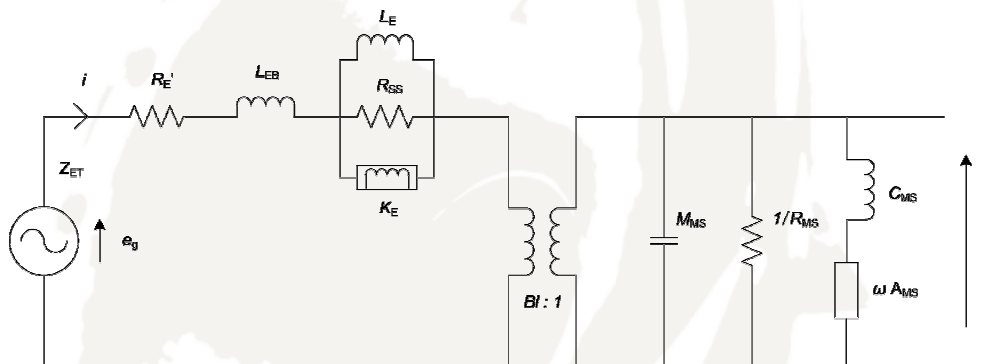
DISCOVERY

WOOFER

26W/4534G00



Advanced Parameters (Preliminary)



Electrical data

Resistance [Re']	4.17 Ω
Free inductance [Leb]	0.0227 mH
Bound inductance [Le]	0.923 mH
Semi-inductance [Ke]	0.132 SH
Shunt resistance [Rss]	2500 Ω

Mechanical Data

Force Factor [BI]	8.09 Tm
Moving mass [Mms]	51.50 g
Compliance [Cms]	1.05 mm/N
Mechanical resistance [Rms]	0.065 kg/s
Admittance [Ams]	0.0997 mm/N

