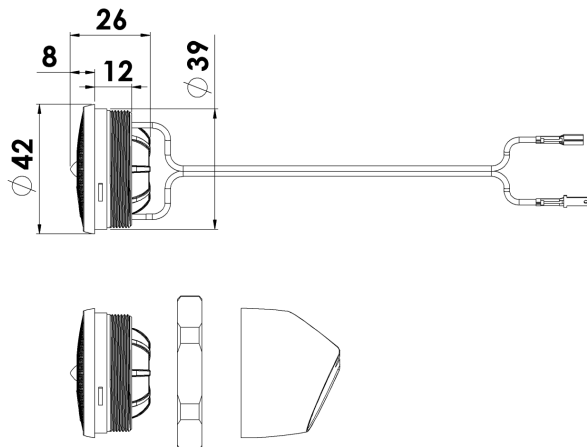




TWEETER

R1904/613001

The Discovery series offer traditional design, superior sound, a solid construction, and a wide range of variants. Combining these elements - plus a wealth of technical features and finesses - it gives our customers the possibility of acquiring a tailor-made Scan-Speak solution with very good performance at a reasonable low price point!



KEY FEATURES:

- 3/4" Ring Dome tweeter
- Compact mounting dimensions
- Flange and Nut for doorpanel mounting
- Optimized for Car use
- Wedge House for dashboard mounting

T-S Parameters

Resonance frequency [fs]	1000 Hz
Mechanical Q factor [Qms]	8.03
Electrical Q factor [Qes]	2.02
Total Q factor [Qts]	1.61
Force factor [Bl]	1.4 Tm
Mechanical resistance [Rms]	0.18 kg/s
Moving mass [Mms]	0.23 g
Suspension compliance [Cms]	0.11 mm/N
Effective diaph. diameter [D]	1.1 mm
Effective piston area [Sd]	3.8 cm ²
Equivalent volume [Vas]	0.002 l
Sensitivity (2.83V/1m)	87.0 dB
Ratio Bl/√Re	0.85 N/√W
Ratio fs/Qts	620 Hz

Notes:

IEC specs. refer to IEC 60268-5 third edition.
All Scan-Speak products are RoHS compliant.
Data are subject to change without notice.
Datasheet updated: February 22, 2011.

Electrical Data

Nominal impedance [Zn]	4 Ω
Minimum impedance [Zmin]	3.3 Ω
Maximum impedance [Zo]	13.4 Ω
DC resistance [Re]	2.7 Ω
Voice coil inductance [Le]	0.02 mH

Power Handling

100h RMS noise test (IEC 17.1)*	40 W
Long-term max power (IEC 17.3)*	- W

*Filter: 2. order HP Butterworth, 3 kHz

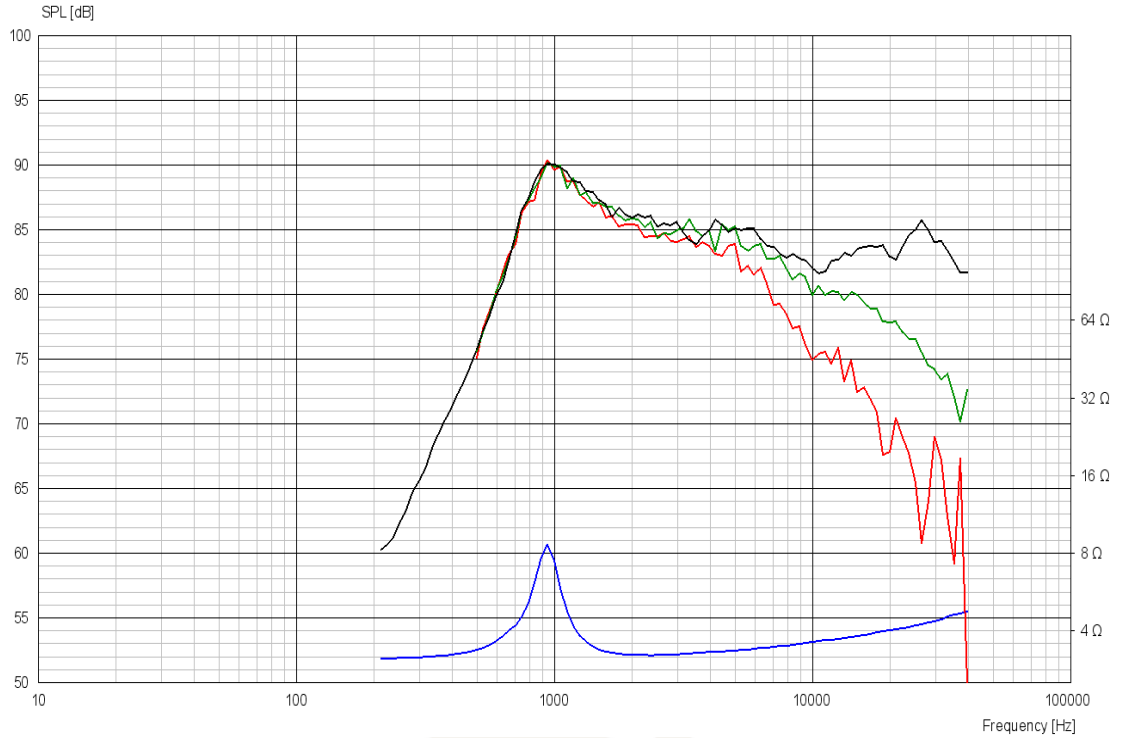
Voice Coil and Magnet Data

Voice coil diameter	19 mm
Voice coil height	1.8 mm
Voice coil layers	2
Height of gap	2 mm
Linear excursion	± 0.1 mm
Max mech. excursion	± 1.6 mm
Unit weight	0.05 kg

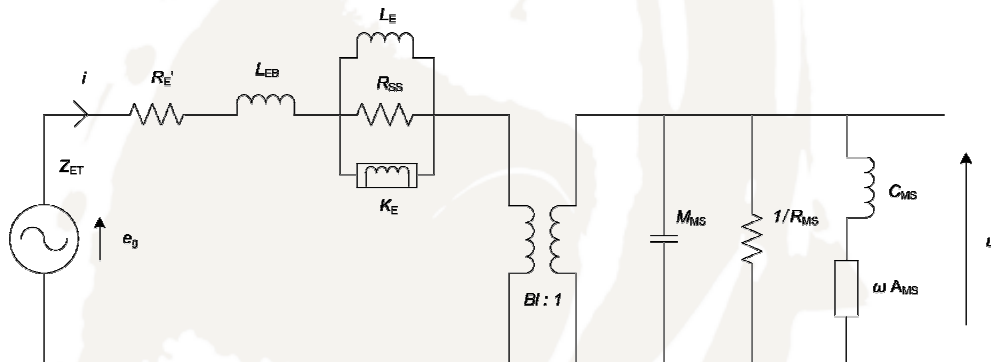


TWEETER

R1904/613001



Advanced Parameters (Preliminary)



Electrical data:

Resistance [Re']	- Ω
Free inductance [L _b]	- mH
Bound inductance [L _e]	- mH
Semi-inductance [K _e]	- SH
Shunt resistance [R _{ss}]	- Ω

Mechanical Data

Force Factor [Bl]	- Tm
Moving mass [M _{ms}]	- g
Compliance [C _{ms}]	- mm/N
Mechanical resistance [R _{ms}]	- kg/s
Admittance [A _{ms}]	- mm/N