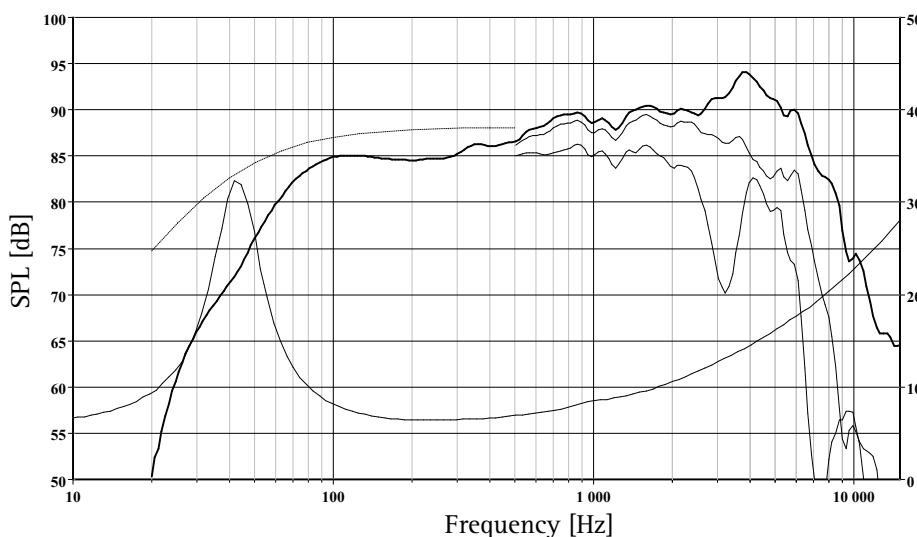


6,5" High Fidelity cone driver, developed for use as a high quality woofer or woofer/midrange unit.

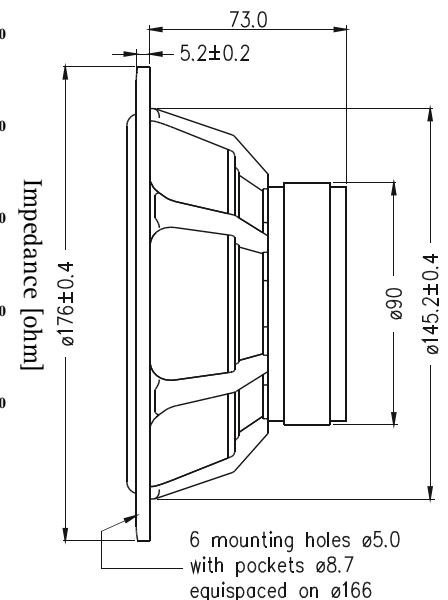
Classical coated paper cone gives a smooth extended frequency response with a controlled roll off.

High temperature, light weight, CCAW voice coil wound on an aluminium voice coil former gives a high power handling capacity. The extremely stiff and stable injection moulded metal basket, keeps the critical components in perfect alignment.

Large windows in the basket both above and below the spider reduce sound reflection, air flow noise and cavity resonance to a minimum. The large magnet system provides high efficiency and low Q.



The frequency responses above show measured free field sound pressure in 0, 30, and 60 degrees angle using a 12L closed box. Input 2.83 V_{RMS}, microphone distance 0.5m, normalized to SPL 1m. The dotted line is a calculated response in infinite baffle based on the parameters given for this specific driver. The impedance is measured in free air without baffle using a 2V sine signal.



Nominal Impedance	8 Ohms	Voice Coil Resistance	5.8 Ohms
Recommended Frequency Range	35 - 3000 Hz	Voice Coil Inductance	1.05 mH
Short Term Power Handling *	250 W	Force Factor	5.6 N/A
Long Term Power Handling *	80 W	Free Air Resonance	42 Hz
Characteristic Sensitivity (2,83V, 1m)	90.0 dB	Moving Mass	10.6 g
Voice Coil Diameter	26 mm	Air Load Mass In IEC Baffle	0.92 g
Voice Coil Height	16 mm	Suspension Compliance	1.4 mm/N
Air Gap Height	6 mm	Suspension Mechanical Resistance	1.04 Ns/m
Linear Coil Travel (p-p)	10 mm	Effective Piston Area	136 cm ²
Maximum Coil Travel (p-p)	20 mm	VAS	32 Litres
Magnetic Gap Flux Density	1.1 T	QMS	2.92
Magnet Weight	0.42 kg	QES	0.56
Total Weight	1.41 kg	QTS	0.47