

The Ambientare Series is a complete and practical solution to solve the installation problems in distributed sound systems.

This new series offers four different models to better suit your requirements, and are specially designed to ceiling mount in conference rooms, airport lounges, reception rooms, hotels, hospitals, schools, etc... Here the reasons why the Ambientare Series is a complete solution:

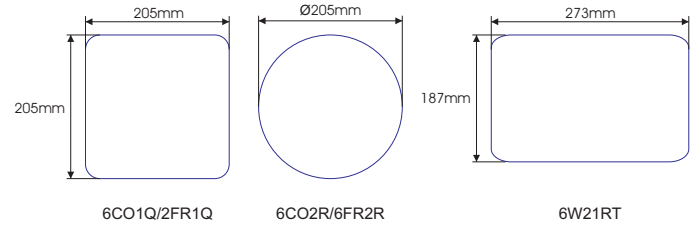
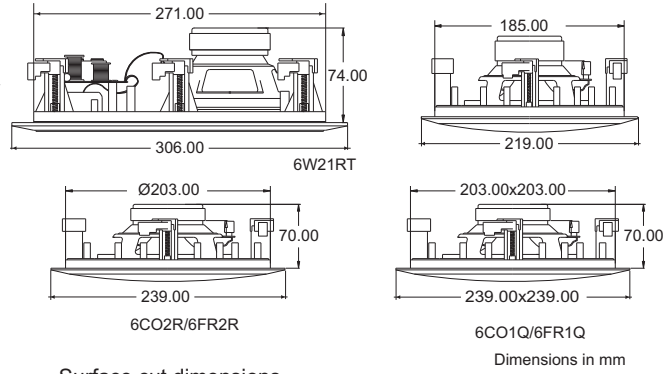
- The 6" model 6CO2 is a coaxial unit utilizing a 3/4" PEI dome tweeter and the 6FR2 is a full range unit with a high frequency dual cone and the model 6W21RT is a two way system, utilizing 6" woofer and 3/4" PEI dome tweeter .

- With aluminium grille.

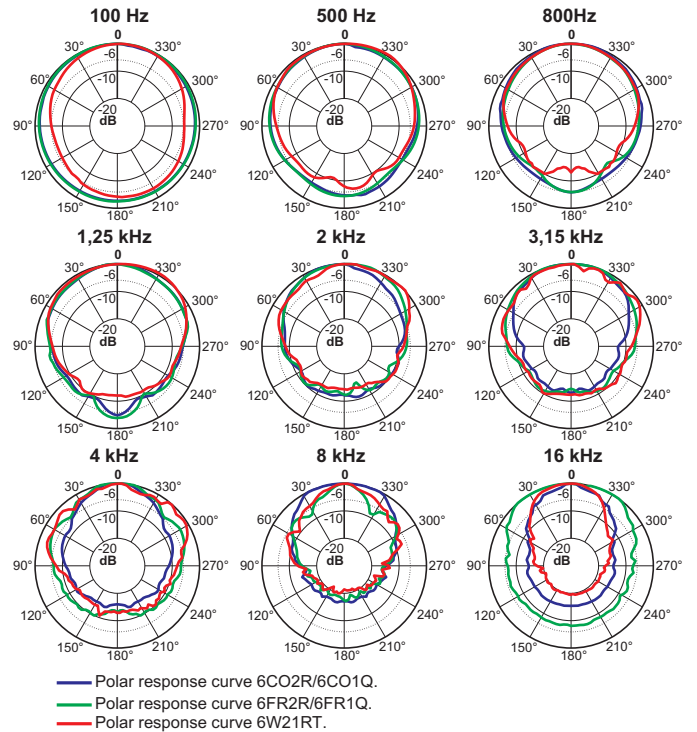
- Precisely engineered ABS X17 injected frames, resistant to moisture and heat, that perfectly fits and locks with other parts assuring a quick, clean installation and a modern and pleasant look.

### Installation sequence

- 1- Take off the package;
- 2- Must take off the front grille, pressing the back legs or using the key.
- 3- Prepare the surface where the ceiling speaker will be installed
  - 3.1- Need to make the hole on the surface, to circle is Ø205mm, to square is 205mm x 205mm and to rectangular is 273mm x 187mm (use the card board as a model).
- 4- Connect the wires from amplifier to speaker terminal
- 5- Fix the speaker on the ceiling
  - 5.1- The ceiling thickness must be between 10mm and 35mm;
  - 5.2- Screw the four screws in cross form.
- 6- Fix the grille on the frame.



### Polar curves



### Response curves measured in anechoic chamber, 1W/1m.

