

Features:

- Stage monitors, side-fill and P.A. applications.
- Compact size, flat front.
- Aluminum exponential horn.
- 50 mm (2") throat.
- 45° x 45° nominal coverage.



SPECIFICATIONS

Nominal coverage		
Horizontal	45	degrees
Vertical	45	degrees
Directivity		
Directivity factor (Q)	21	
Directivity index (Di)	13	dB
Sensitivity		
On driver, 1W @ 1m, on axis ¹	110	dB SPL
Frequency response @ -10 dB ²	500 to 25,000	Hz
Throat diameter	50 (2)	mm (in)
Minimum recommended crossover ³	600	Hz

¹ Measured with D3300Ti driver, 2,000 - 17,000 Hz average.

² Measured with D3300Ti driver.

³ With D405 driver.

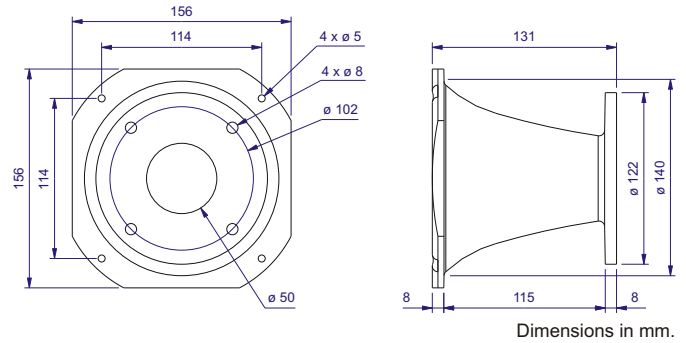
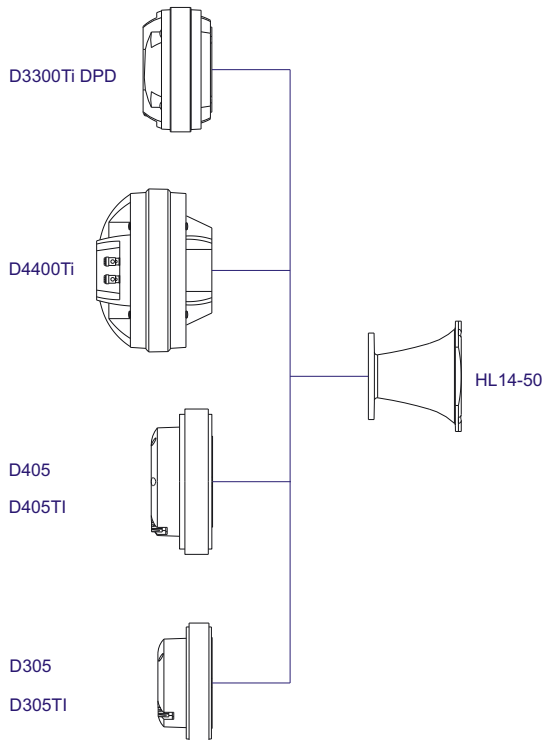
ADDITIONAL INFORMATION

Horn material	Aluminum
Horn finish	Black epoxy
Overall dimensions	
Mouth height	156 (6.14) mm (in)
Mouth width	156 (6.14) mm (in)
Length	131 (5.16) mm (in)
Volume displaced by horn	0.9 (0.03) l (ft ³)
Net weight	670 (1.48) g (lb)
Gross weight	930 (2.05) g (lb)
Carton dimensions (W x D x H)	20 x 19 x 17 (7.9 x 7.5 x 6.7) cm (in)

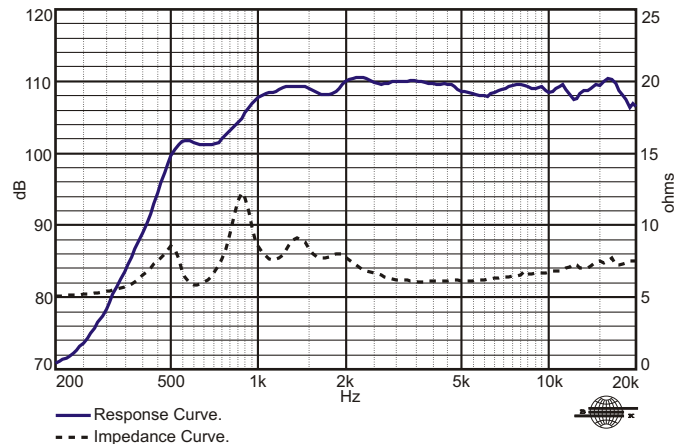
MOUNTING INFORMATION

Mechanical connection of driver	Bolt on
Baffle cutout diameter (front mount)	142 (5.59) mm (in)

HORN x DRIVER CONNECTION



RESPONSE AND IMPEDANCE CURVES W/ D3300Ti DPD DRIVER INSIDE AN ANECHOIC CHAMBER, 1 W / 1 m



POLAR RESPONSE CURVE

