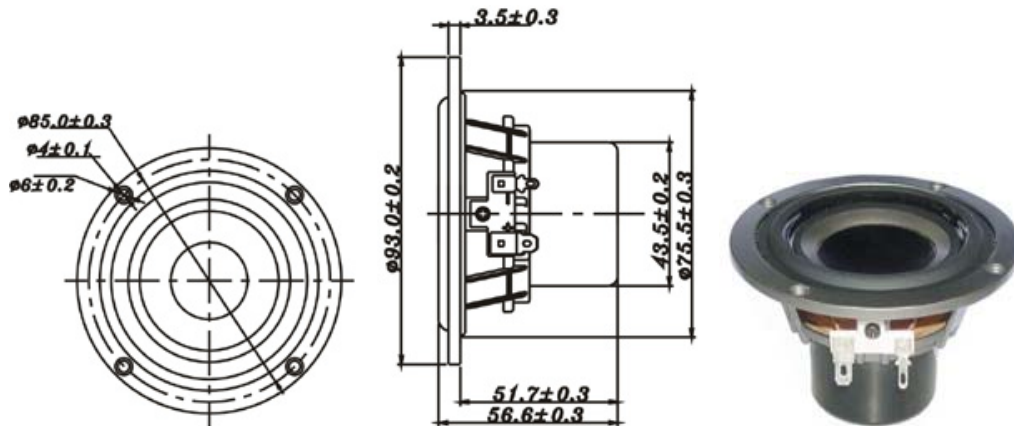


# F SERIES

# W3-1335SB



3" Ti FULL RANGE

- FULL RANGE FREQUENCY RESPONSE
- HIGH POWER LOADING DESIGN
- DIE CAST BASKET, TITANIUM COLOR PAINTED, VC VENTED DESIGN
- TITANIUM CONE WITH SANTOPRENE SURROUND MAGNETICALLY SHIELDED
- UNDERHUNG MOTOR DESIGN
- LOW 2nd,3rd DISTORTION DESIGN



DIAPHRAGM MTL	Titanium
SURROUND MTL	Santoprene
NOMINAL IMPEDANCE	8 Ω
DCR IMPEDANCE	6.6 Ω
SENSITIVITY 1W/1m	86 dB
FREQUENCY RESPONSE	100-20K Hz
FREE AIR RESONANCE	100 Hz
VOICE COIL DIAMETER	25.4 mm
AIR GAP HEIGHT	8 mm
RATED POWER INPUT	15 W
MAXIMUM POWER INPUT	30 W
FORCE FACTOR, BL	5.16 TM
MAGNET WEIGHT (oz)	Neodymium
MOVING MASS	2.88 g
FERRO FLUID ENHANCED	No
SUSPENSION COMPL.	841.456 uMN <sup>-1</sup>
EFFEC.PISTON AREA	0.0032 M <sup>2</sup>
Levc	0.008 mH
Zo	26 ohm
X-max	0.5 mm
Vas	1.22 Litr.
Qts	0.34
Qms	1.31
Qes	0.46

VOICE:886.2.26570282 FAX:886.2.26580166  
E-MAIL :info@tb-speaker.com

**CLOSE**