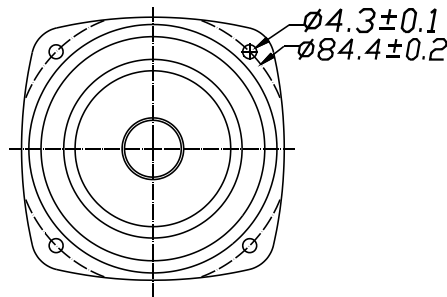
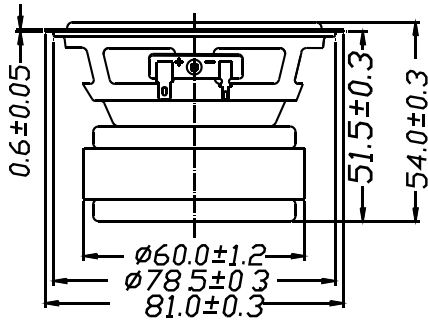


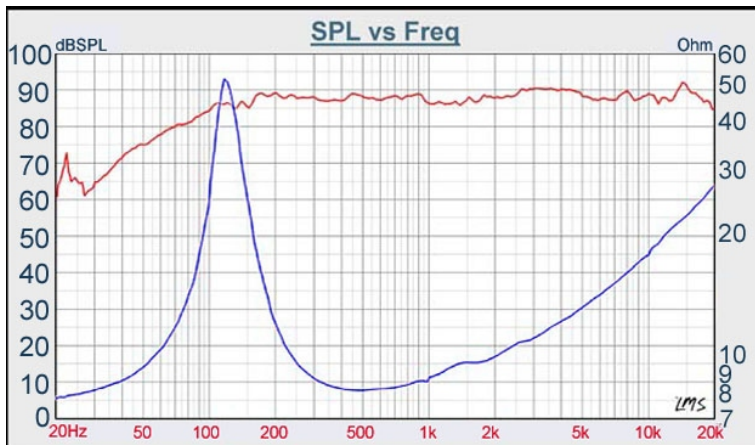
# F SERIES

# W3-594A



- UNDERHUNG DESIGN
- HIGH POWER LOADING DESIGN, CCAW / KAPTION BOBBIN
- FULL RANGE FREQUENCY RESPONSE
- STAMPED STEEL BASKET
- PAPER CONE WITH SANTOPRENE SURROUND
- MAGNETICALLY SHIELDED
- ALUMINUM PHASE PLUG

## 3" PAPER CONE/ FULL RANGE



DIAPHRAGM MTL	Paper
SURROUND MTL	Santoprene
NOMINAL IMPEDANCE	8
DCR IMPEDANCE	6.6
SENSITIVITY 1W/1m	87 dB
FREQUENCY RESPONSE	100 - 20K Hz
FREE AIR RESONANCE	100 Hz
VOICE COIL DIAMETER	20 mm
AIR GAP HEIGHT	6 mm
RATED POWER INPUT	15 W
MAXIMUM POWER INPUT	30 W
FORCE FACTOR, BL	3.3 TM
MAGNET WEIGHT (4 oz)	120 g
MOVING MASS	1.60 g
FERROFLUID ENHANCED	No
SUSPENSION COMPLIANCE	1234 MN <sup>-1</sup>
EFFECTIVE PISTON AREA	0.0032 M <sup>2</sup>
Levc	0.3048 mH
Zo	67.6781 ohm
X-max	0.4 mm
Vas	1.8 Litr
Qts	0.64
Qms	6.59
Qes	0.71



Blue planet acoustic  
Königsbergerstr 3a  
65760 Eschborn  
www.blueplanetacoustic.com