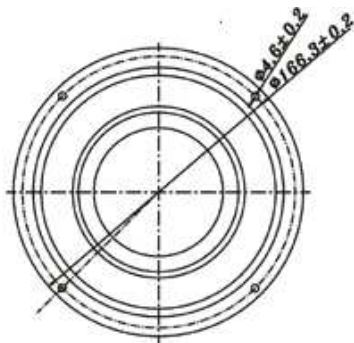
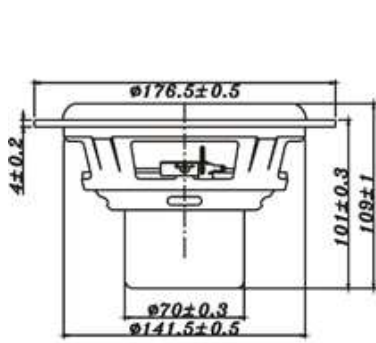


SU SERIES

W6-1139SI



6.5" PAPER SUBWOOFER

- LONG-THROW HIGH-POWER LOADING DESIGN (X-max=13mm)
- PAPER CONE WITH BIG ROLL, SPECIAL LESS DAMPING, WIDE RANGE TEMPERATURE RUBBER SURROUND
- VENTED POLE PIECE ,NEODYMIUM MAGNET DESIGN
- STAMPING STEEL BASKET
- SUITABLE FOR SUBWOOFER APPLICATION
- MAGNETICALLY SHIELDED

DIAPHRAGM MTL	Paper
SURROUND MTL	Rubber
NOMINAL IMPEDANCE	4 W
DCR IMPEDANCE	3.6 W
SENSITIVITY 1W/1m	83 dB
FREQUENCY RESPONSE	38-800 Hz
FREE AIR RESONANCE	38 Hz
VOICE COIL DIAMETER	38.5 mm
AIR GAP HEIGHT	4 mm
NOMINAL POWER	50 W
MUSIC POWER	100 W
FORCE FACTOR, BL	8.67 TM
MAGNET WEIGHT (oz)	Neodymium
MOVING MASS	39.91 g
FERROFLUID ENHANCED	No
SUSPENSION COMPLIANCE	423.31 uMN ⁻¹
EFFECTIVE PISTON AREA	0.0140 m ²
Levc	0.34 mH
Zo	25 ohm
X-max	13 mm
Vas	11.78 Litr.
Qts	0.40
Qms	2.65
Qes	0.47



VOICE:886.2.26570282 FAX:886.2.26580166
E-MAIL :info@tb-speaker.com

CLOSE