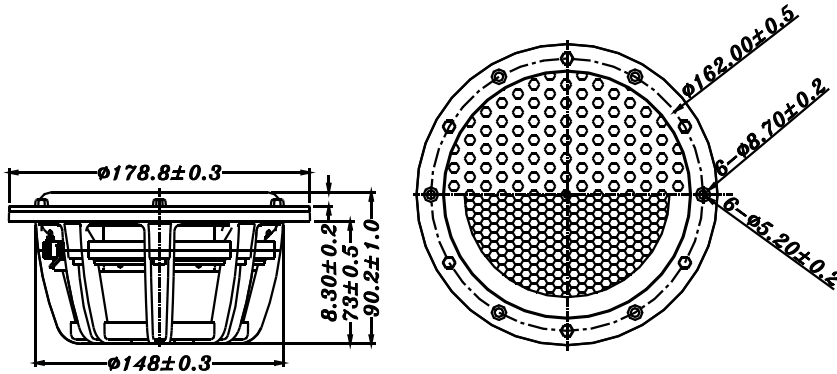


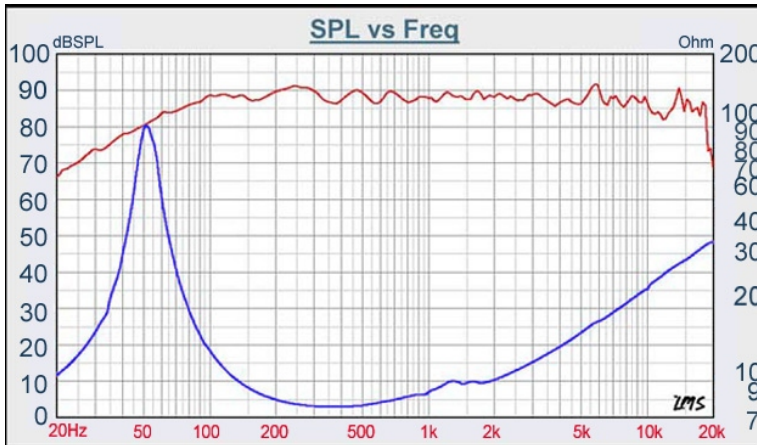
WF SERIES

W6-1914S



- 6.5" OF MIDRANGE SPEAKER DESIGN
- EXTREMELY WIDE OF FREQUENCY RESPONSE DISPERSION
- ALUMINUM SANDWICH CONE BODY, LIGHT WEIGHT AND HIGH STIFFNESS
- VERY LOW THD (2nd AND 3rd HARMONIC DISTORTION)
- FOR BETTER HUMAN BEING VOICE, IT'S AVAILABLE FOR LOW X-OVER DESIGN

6.5" SANDWICH MID RANGE



DIAPHRAGM MTL	Sandwich
SURROUND MTL	Foam Rubber
NOMINAL IMPEDANCE	8 Ω
DCR IMPEDANCE	6.5 Ω
SENSITIVITY 1W/1M	89 dB
FREQUENCY RESPONSE	55 - 7K Hz
FREE AIR RESONANCE	55 Hz
VOICE COIL DIAMETER	66.5 mm
AIR GAP HEIGHT	6 mm
RATED POWER INPUT	45 W
MAXIMUM POWER INPUT	90 W
FORCE FACTOR, BL	8.79 TM
MAGNET WEIGHT (oz)	Neodymium
MOVING MASS	14.97 g
FERROFLUID ENHANCED	No
SUSPENSION COMPLIANCE	649.20 μMN ⁻¹
EFFECTIVE PISTON AREA	0.014 M ²
Levc	0.012 mH
Zo	100 ohm
Xmax	0 mm
Vas	18.10 Litr
Qts	0.38
Qms	6.11
Qes	0.40

TB SPEAKERS

VOICE: 886.2.26570282 FAX: 886.2.26580166
E-MAIL: info@tb-speaker.com