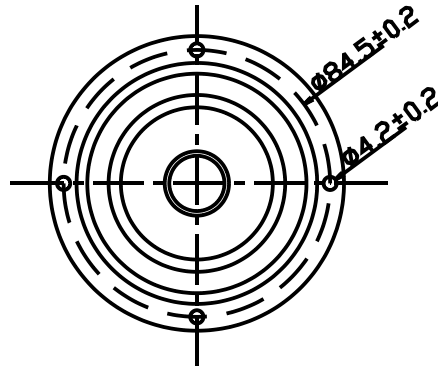
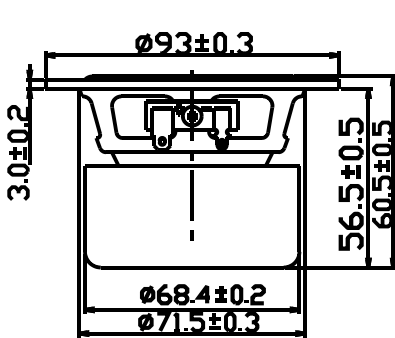


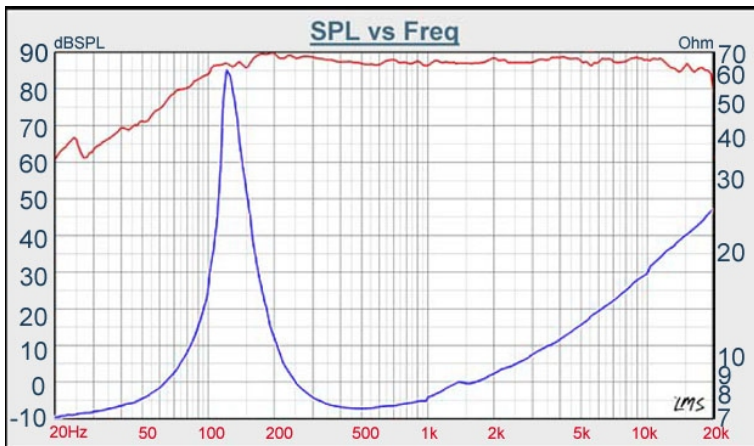
F SERIES

W3-871S



- FULL RANGE FREQUENCY RESPONSE
- ROUND STAMPED STEEL BASKET
- ALUM. PHASE PLUG
- PAPER CONE WITH SANTOPRENE SURROUND
- MAGNETICALLY SHIELDED
- ALUMINUM PHASE PLUG

3" PAPER FULL RANGE



DIAPHRAGM MTL	Silver Paper
SURROUND MTL	TPE
NOMINAL IMPEDANCE	8
DCR IMPEDANCE	6.6
SENSITIVITY 1W/1m	87 dB
FREQUENCY RESPONSE	110 - 20K Hz
FREE AIRRESONANCE	110Hz
VOICE COIL DIAMETER	20 mm
AIR GAP HEIGHT	6 mm
RATED POWER INPUT	15 W
MAXIMUM POWER INPUT	30 W
FORCE FACTOR, BL	3.53 TM
MAGNET WEIGHT (4 oz)	117 g
MOVING MASS	1.71 g
FERROFLUID ENHANCED	No
SUSPENSION COMPLIANCE	1145 MN ⁻¹
EFFECTIVE PISTON AREA	0.0032M ²
Levc	0.2947 mH
Zo	73.7591 ohm
X-max	0.5 mm
Vas	1.66 Litr
Qts	0.59
Qms	6.57
Qes	0.65



Blue planet acoustic
 Königsbergerstr 3a
 65760 Eschborn
www.blueplanetacoustic.com