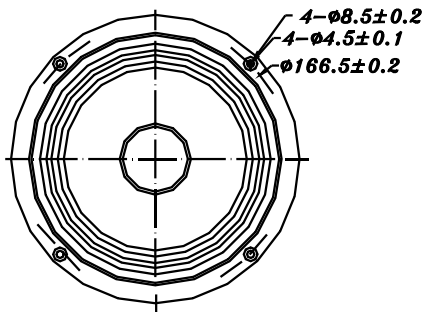
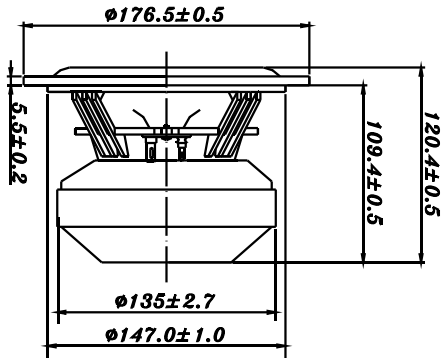


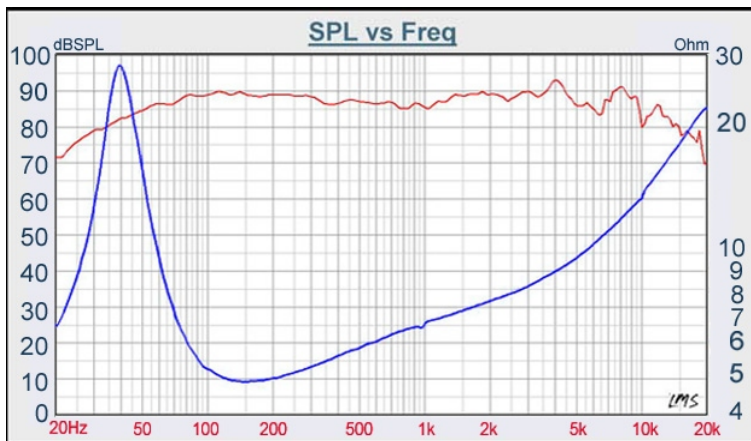
WF SERIES

W6-1721



- HUGE FERRITE MAGNET, UNDER HUNG MOTOR DESIGN
- SHORT RING ON POLE PIECE, VC = 38mm
- VERY LOW 2nd AND 3rd DISTORTION (LOW THD)
- LONG THROW, HIGH POWER LOADING, X_{max} = 8mm
- NATURALLY HIGH FREQUENCY ROLL OFF, GOOD FOR CROSSOVER DESIGN

6" MID BASS



DIAPHRAGM MTL	Paper
SURROUND MTL	Rubber
NOMINAL IMPEDANCE	4 Ω
DCR IMPEDANCE	3.4 Ω
SENSITIVITY 1W/1M	88 dB
FREQUENCY RESPONSE	40Hz -5K Hz
FREE AIR RESONANCE	40 Hz
VOICE COIL DIAMETER	38.5 mm
AIR GAP HEIGHT	22 mm
NOMINAL POWER	50 W
MUSIC POWER	100 W
FORCE FACTOR, BL	5.12 T M
MAGNET WEIGHT (50 oz)	1386g
MOVING MASS	14.97 g
FERROFLUID ENHANCED	No
SUSPENSION COMPLIANCE	1.055m MN ⁻¹
EFFECTIVE PISTON AREA	0.014 m ²
Levc	83.78 mH
Zo	28 ohm
X _{max}	8 mm
Vas	29.38 Litr
Qts	0.43
Qms	3.58
Qes	0.49

TB SPEAKERS

VOICE:886.2.26570282 FAX:886.2.26580166
E-MAIL :info@tb-speaker.com