

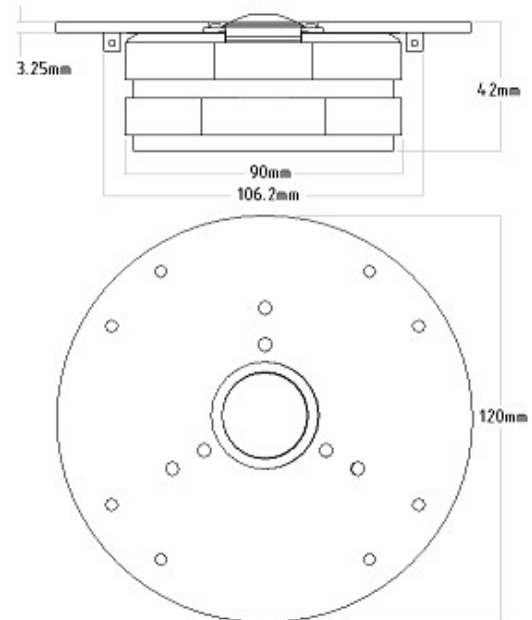
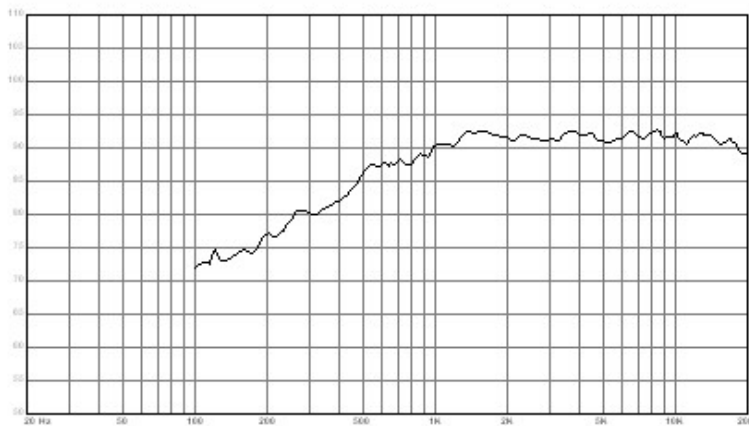
Transducer Lab

N26MGR-G

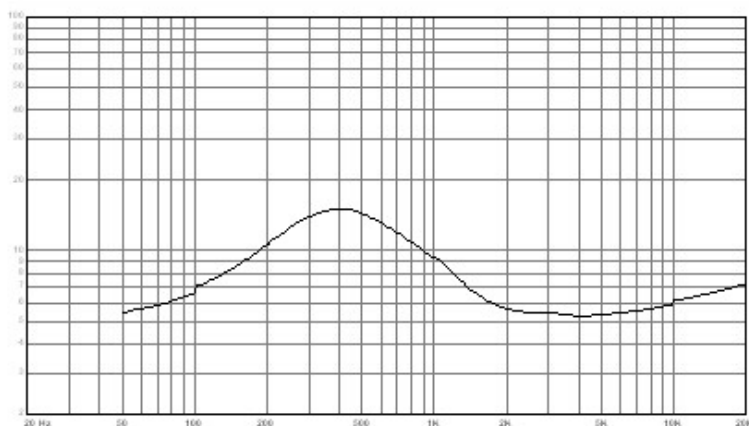
- Magnesium Oxide (MgO) dome
- Under-hung voice coil (1mm linear excursion)
- Pure silver lead wires/ terminal posts
- High-flux double magnet design
- Designed / assembled / tested in USA



Frequency Response



Impedance



Parameters

Dome Type	Convex Magnesia
Surround	3-layer fabric
Bobbin type	Glass fiber
Impedance	6 ohm
RE	4.1 ohm
Power limit	95 W
SPL /2.83v	92.5 db
SD	5.9 cm ²
Voice coil winding height	1.8 mm
Voice coil inductance	0.04 mh
Magnetic gap height	2.8 mm
BL	3.2 tm
Linear excursion	1 mm (total)
MMS	0.32 gr
FR	440 hz
QTS	0.21

Transducer Lab

254 S. Cole Rd, Boise, Idaho, 83709

Transducerlab.com / connect@transducerlab.com

6/5/2014